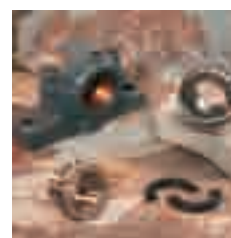


RHP Plummer Block Housings and Accessories





SUMMARY



| | |
|--|----------------|
| General points, technical characteristics | 2 – 3 |
| SN500 Series | 4 – 7 |
| SN600 Series | 8 – 11 |
| SNU 500-600 Series | 12 – 15 |
| SD3100 Series | 16 – 17 |
| Sleeves (metric and inch) | 18 – 21 |
| Withdrawal sleeves (metric and inch) | 22 – 23 |
| Lock nuts | 24 |
| Locking washers | 25 |
| Locating rings | 26 |
| Notes | 27 |



INTRODUCTION

RHP market 3 types of plummer block units, the SN, SNU and SD.

These are manufactured from high strength cast iron and can be fitted with spherical roller bearings or self-aligning ball bearings.

These units are re-greasable; the SN series are drilled and tapped to receive a lubrication nipple on the upper half of the housing.

The SNU series are made with an additional second threaded hole at the bottom of the casting, this acts as a grease relief valve or oil drain hole.

The internal diameter of the house is H7 tolerance allowing the bearings to be adjusted easily. Locating rings can be fitted to position the bearing. These plummer block housings can accommodate different types of seals, varying from the simple felt seal to the more complex steel and aluminium labyrinth seal.

End covers are also available for both the SN and SNU housings.

TECHNICAL CHARACTERISTICS

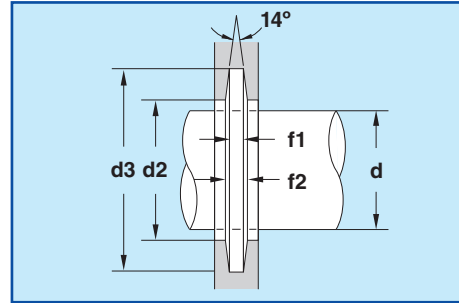
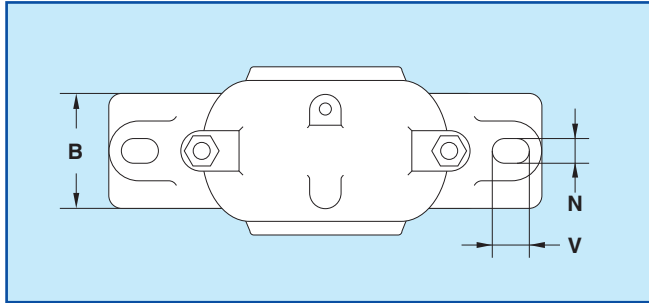
| MATERIAL | JIS CODE | US CODE | STRENGTH |
|-----------|-----------|----------|---------------------|
| CAST IRON | JIS G5501 | ASTM A48 | kgf/cm ² |
| | FC20 | GRADE 35 | 20 |

| ITEM | REFERENCE | MATERIAL |
|----------------|-------------|--|
| Felt Seal* | FI | 80% cotton, 20% rayon. Density 0.25g/cm ² |
| Locating ring | FR | Mild steel AISI1010/Aluminium |
| ZF Seal | ZF | Nitrile Butane Rubber (NBR) |
| U-LOK Seal | U500/U600 | NBR and steel |
| Labyrinth Seal | TS500/600 U | Steel/aluminium |
| V-Ring Seal | TSNA500/600 | NBR & mild steel (back plate) |
| End cover SN | 500/600NA | NBR & mild steel |
| End cover SNU | 500/A | NBR & mild steel |

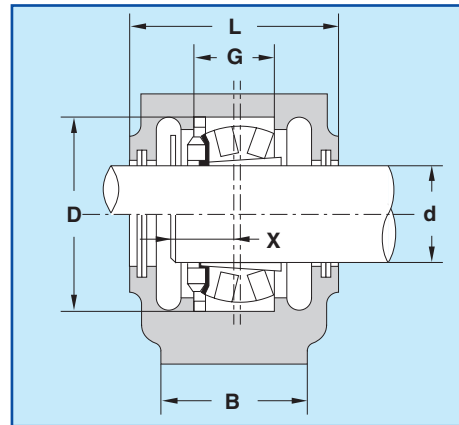
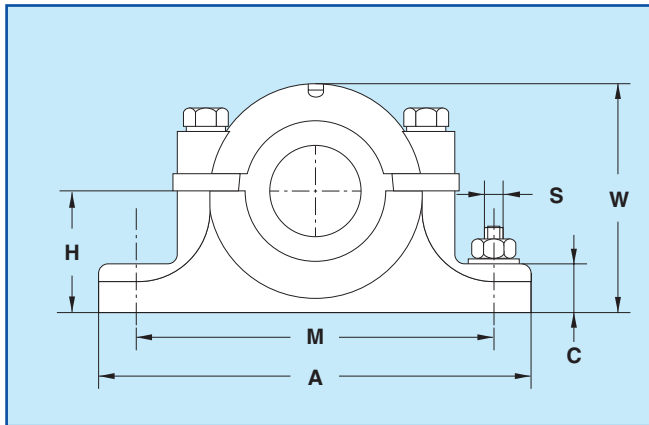
* Standard on SN Housing



SN500 SERIES



DETAIL OF GROOVES

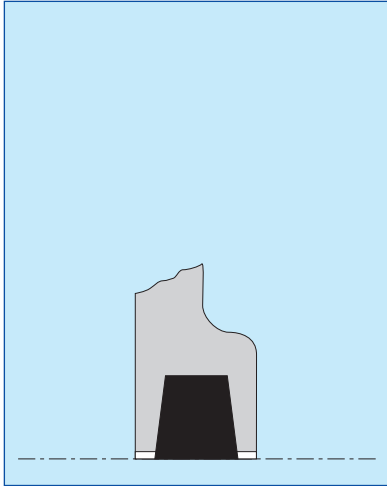


DIMENSIONS mm

| SERIES | d | | DIMENSIONS mm | | | | | | | | | | | | | | | | | MASS kg |
|--------|----|------|---------------|----|----|-----|----|----|-----|-----|----|----|----|-----|----|------|----|----|-----|---------|
| | MM | INCH | A | B | C | D | G | H | L | M | N | S | V | W | X | d2 | d3 | f1 | f2 | |
| SN 505 | 20 | ¾ | 165 | 46 | 22 | 52 | 25 | 40 | 67 | 130 | 15 | 12 | 20 | 75 | 22 | 21.5 | 31 | 3 | 4.2 | 1.5 |
| SN 506 | 25 | 1 | 185 | 52 | 22 | 62 | 30 | 50 | 77 | 150 | 15 | 12 | 20 | 90 | 22 | 26.5 | 38 | 4 | 5.4 | 1.74 |
| SN 507 | 30 | 1½ | 185 | 52 | 22 | 72 | 33 | 50 | 82 | 150 | 15 | 12 | 20 | 95 | 24 | 31.5 | 43 | 4 | 5.4 | 1.9 |
| SN 508 | 35 | 1¼ | 205 | 60 | 25 | 80 | 33 | 60 | 85 | 170 | 15 | 12 | 20 | 110 | 26 | 36.5 | 48 | 4 | 5.4 | 2.63 |
| SN 509 | 40 | 1½ | 205 | 60 | 25 | 85 | 31 | 60 | 85 | 170 | 15 | 12 | 20 | 112 | 28 | 41.5 | 53 | 4 | 5.4 | 2.64 |
| SN 510 | 45 | 1¾ | 205 | 60 | 25 | 90 | 33 | 60 | 90 | 170 | 15 | 12 | 20 | 115 | 28 | 46.5 | 58 | 4 | 5.4 | 2.8 |
| SN 511 | 50 | 2 | 255 | 70 | 28 | 100 | 33 | 70 | 95 | 210 | 18 | 16 | 23 | 130 | 30 | 51.5 | 67 | 5 | 6.9 | 4.32 |
| SN 512 | 55 | 2½ | 255 | 70 | 30 | 110 | 38 | 70 | 105 | 210 | 18 | 16 | 23 | 135 | 32 | 56.5 | 72 | 5 | 6.9 | 4.99 |
| SN 513 | 60 | 2¼ | 275 | 80 | 30 | 120 | 43 | 80 | 110 | 230 | 18 | 16 | 23 | 150 | 36 | 62.0 | 77 | 5 | 6.8 | 5.64 |
| SN 515 | 65 | 2½ | 280 | 80 | 30 | 130 | 41 | 80 | 115 | 230 | 18 | 16 | 23 | 155 | 38 | 67.0 | 82 | 5 | 6.8 | 6.19 |
| SN 516 | 70 | 2¾ | 315 | 90 | 32 | 140 | 43 | 95 | 120 | 260 | 22 | 20 | 27 | 175 | 40 | 72.0 | 89 | 6 | 8.1 | 8.17 |

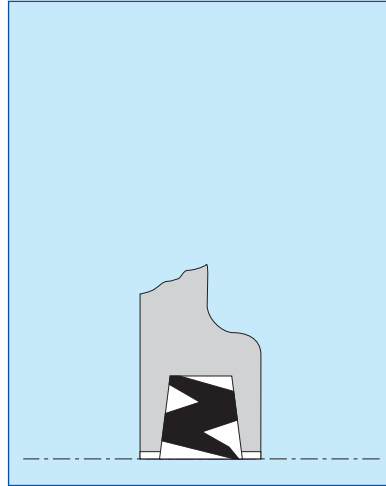
SEALING OPTIONS FOR SN500 AND 600 HOUSINGS

FELT SEAL FI



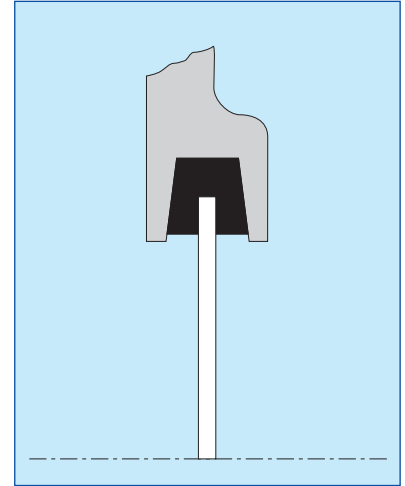
REF. FI10
= felt for SN510

SEAL ZF



REF. ZF10
= seal for SN510

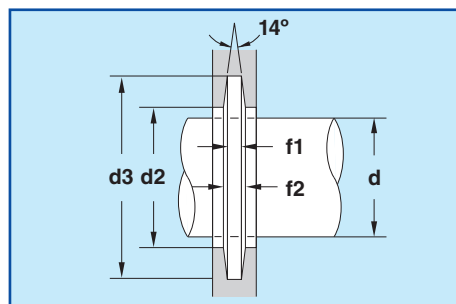
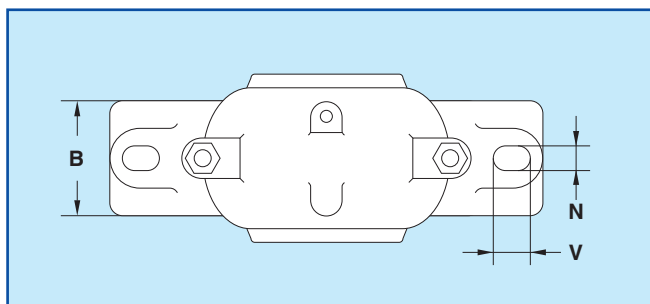
END COVER 500NA



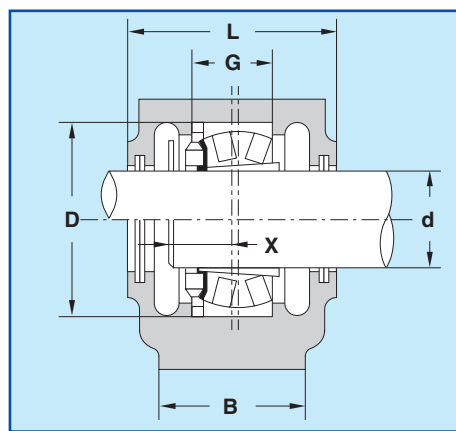
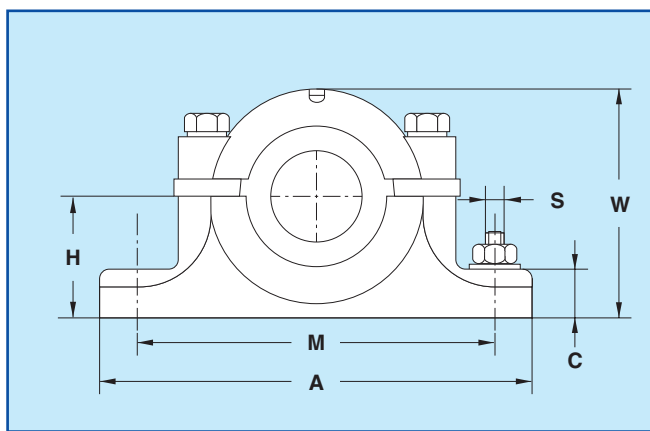
REF. 510NA
= end cover for SN510

| BEARING | | ADAPTOR SLEEVE | | LOCATING RING | | SEAL OPTIONS | | | SERIES |
|----------------------------|--------------------------|----------------|-------|---------------|-----|--------------|---------|-----------|--------|
| SELF-ALIGNING BALL BEARING | SPHERICAL ROLLER BEARING | METRIC | INCH | REF | QTY | FELT SEAL | ZF SEAL | END COVER | |
| 1205K | - | H205 | HE205 | FR52/5 | 2 | FI05 | ZF05 | 505NA | SN 505 |
| 2205K | 22205K | H305 | HE305 | FR52/7 | 1 | FI05 | ZF05 | 505NA | |
| 1206K | - | H206 | HE206 | FR62/7 | 2 | FI06 | ZF06 | 506NA | SN 506 |
| 2206K | 22206K | H306 | HE306 | FR62/10 | 1 | FI06 | ZF06 | 506NA | |
| 1207K | - | H207 | HE207 | FR72/8 | 2 | FI07 | ZF07 | 507NA | SN 507 |
| 2207K | 22207K | H307 | HE307 | FR72/10 | 1 | FI07 | ZF07 | 507NA | |
| 1208K | - | H208 | HE208 | FR80/7.5 | 2 | FI08 | ZF08 | 508NA | SN 508 |
| 2208K | 22208K | H308 | HE308 | FR80/10 | 1 | FI08 | ZF08 | 508NA | |
| 1209K | - | H209 | HE209 | FR85/6 | 2 | FI09 | ZF09 | 508NA | SN 509 |
| 2209K | 22209K | H309 | HE309 | FR85/8 | 1 | FI09 | ZF09 | 509NA | |
| 1210K | - | H210 | HE210 | FR90/6.5 | 2 | FI10 | ZF10 | 510NA | SN 510 |
| 2210K | 22210K | H310 | HE310 | FR90/10 | 1 | FI10 | ZF10 | 510NA | |
| 1211K | - | H211 | HE211 | FR100/6 | 2 | FI11 | ZF11 | 511NA | SN 511 |
| 2211K | 22211K | H311 | HE311 | FR100/8 | 1 | FI11 | ZF11 | 511NA | |
| 1212K | - | H212 | HE212 | FR110/8 | 2 | FI12 | ZF12 | 512NA | SN 512 |
| 2212K | 22212K | H312 | HE312 | FR110/10 | 1 | FI12 | ZF12 | 512NA | |
| 1213K | - | H213 | HE213 | FR120/10 | 2 | FI13 | ZF13 | 513NA | SN 513 |
| 2213K | 22213K | H313 | HE313 | FR120/12 | 1 | FI13 | ZF13 | 513NA | |
| 1215K | - | H215 | HE215 | FR130/8 | 2 | FI15 | ZF15 | 515NA | SN 515 |
| 2215K | 22215K | H315 | HE315 | FR130/10 | 1 | FI15 | ZF15 | 515NA | |
| 1216K | - | H216 | HE216 | FR140/8.5 | 2 | FI16 | ZF16 | 516NA | SN 516 |
| 2216K | 22216K | H316 | HE316 | FR140/10 | 1 | FI16 | ZF16 | 516NA | |

SN500 SERIES (continued)



DETAIL OF GROOVES

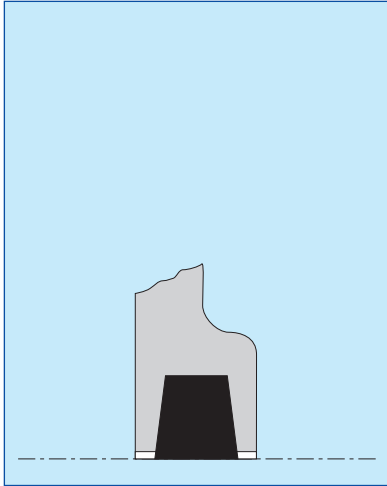


DIMENSIONS mm

| SERIES | d | | DIMENSIONS mm | | | | | | | | | | | | | d2 | d3 | f1 | f2 | MASS kg |
|--------|-----|------|---------------|-----|----|-----|-------|-----|-----|-----|----|----|----|-----|----|-----|-----|----|------|---------|
| | MM | INCH | A | B | C | D | G | H | L | M | N | S | V | W | X | | | | | |
| SN 517 | 75 | 3 | 320 | 90 | 32 | 150 | 46.0 | 95 | 125 | 260 | 22 | 20 | 27 | 185 | 42 | 77 | 94 | 6 | 8.1 | 9.37 |
| SN 518 | 80 | 3¼ | 345 | 100 | 35 | 160 | 62.4 | 100 | 145 | 290 | 22 | 20 | 27 | 195 | 50 | 82 | 99 | 6 | 8.1 | 11.5 |
| SN 520 | 90 | 3½ | 380 | 110 | 40 | 180 | 70.3 | 112 | 160 | 320 | 26 | 24 | 32 | 218 | 54 | 92 | 111 | 7 | 9.3 | 16.3 |
| SN 522 | 100 | 4 | 410 | 120 | 45 | 200 | 80.0 | 125 | 175 | 350 | 26 | 24 | 32 | 240 | 60 | 102 | 125 | 8 | 10.8 | 25.1 |
| SN 524 | 110 | 4¼ | 410 | 120 | 45 | 215 | 86.0 | 140 | 185 | 350 | 26 | 24 | 34 | 270 | 64 | 113 | 135 | 8 | 10.7 | 27.2 |
| SN 526 | 115 | 4½ | 445 | 130 | 50 | 230 | 90.0 | 150 | 190 | 380 | 28 | 24 | 35 | 290 | 64 | 118 | 140 | 8 | 10.7 | 35.2 |
| SN 528 | 125 | 5 | 500 | 150 | 50 | 250 | 98.0 | 150 | 205 | 420 | 34 | 30 | 44 | 305 | 70 | 128 | 154 | 9 | 12.2 | 43.7 |
| SN 530 | 135 | 5¼ | 530 | 160 | 60 | 270 | 106.0 | 160 | 220 | 450 | 34 | 30 | 42 | 325 | 76 | 138 | 164 | 9 | 12.2 | 45.3 |
| SN 532 | 140 | 5½ | 550 | 160 | 60 | 290 | 114.0 | 170 | 235 | 470 | 34 | 30 | 44 | 345 | 80 | 143 | 173 | 10 | 13.7 | 50.75 |

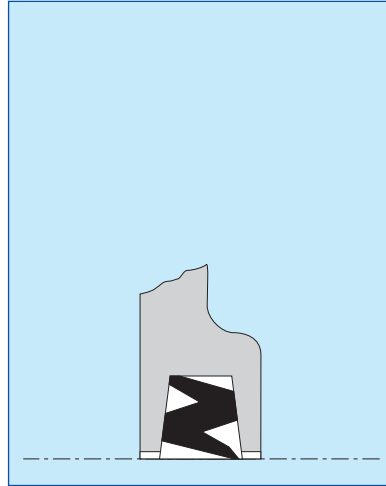
SEALING OPTIONS FOR SN500 AND 600 HOUSINGS

FELT SEAL FI



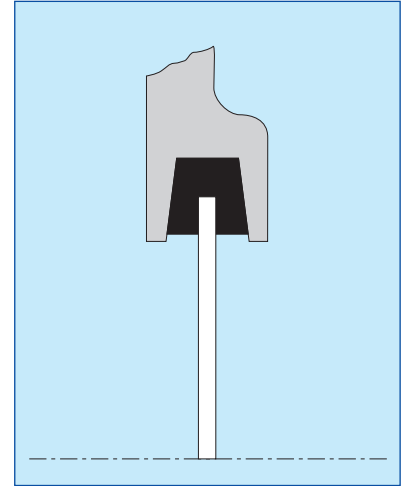
REF. FI10
= felt for SN510

SEAL ZF



REF. ZF10
= seal for SN510

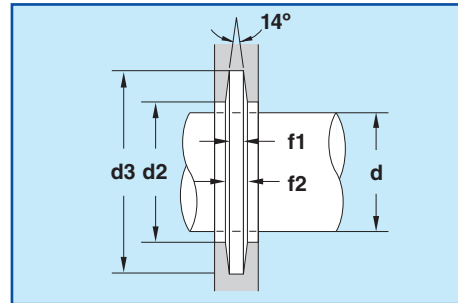
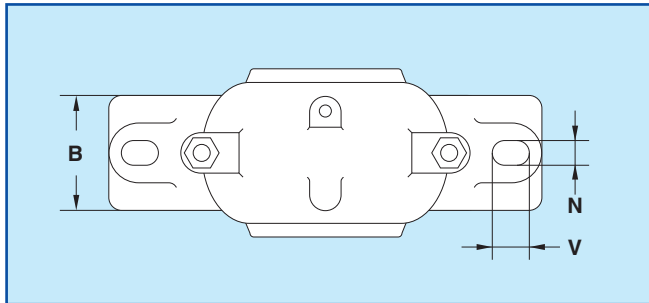
END COVER 500NA



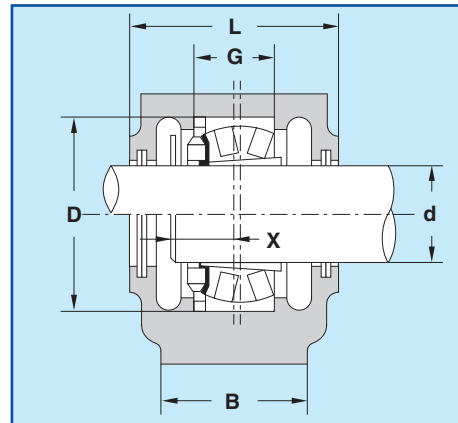
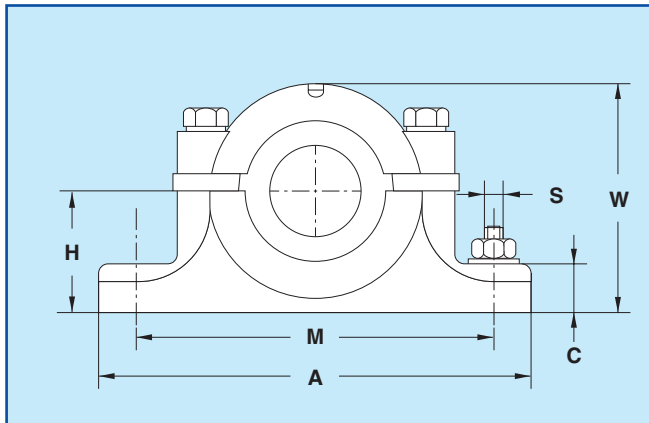
REF. 510NA
= end cover for SN510

| BEARING | | ADAPTOR SLEEVE | | LOCATING RING | | SEAL OPTIONS | | | SERIES |
|----------------------------|--------------------------|----------------|--------|---------------|-----|--------------|---------|-----------|--------|
| SELF-ALIGNING BALL BEARING | SPHERICAL ROLLER BEARING | METRIC | INCH | REF | QTY | FELT SEAL | ZF SEAL | END COVER | |
| 1217K | - | H217 | HE217 | FR150/9 | 2 | FI17 | ZF17 | 517NA | SN 517 |
| 2217K | 22217K | H317 | HE317 | FR150/10 | 1 | FI17 | ZF17 | 517NA | |
| 1218K | - | H218 | HE218 | FR160/16.2 | 2 | FI18 | ZF18 | 518NA | SN 518 |
| 2218K | 22218K | H318 | HE318 | FR160/11.2 | 2 | FI18 | ZF18 | 518NA | |
| - | 23218K | H2318 | HE2318 | FR160/10 | 1 | FI18 | ZF18 | 518NA | |
| 1220K | - | H220 | HE220 | FR180/18 | 2 | FI20 | ZF20 | 520NA | SN 520 |
| 2220K | 22220K | H320 | HE320 | FR180/12.1 | 2 | FI20 | ZF20 | 520NA | |
| - | 23220K | H2320 | HE2320 | FR180/10 | 1 | FI20 | ZF20 | 520NA | |
| 1222K | - | H222 | HE222 | FR200/10.5 | 4 | FI22 | ZF22 | 522NA | SN 522 |
| 2222K | 22222K | H322 | HE322 | FR200/13.5 | 2 | FI22 | ZF22 | 522NA | |
| - | 23222K | H2322 | HE2322 | FR200/10 | 1 | FI22 | ZF22 | 522NA | |
| - | 22224K | H3124 | HE3124 | FR215/14 | 2 | FI24 | ZF24 | 524NA | SN 524 |
| - | 23224K | H2324 | HE2324 | FR215/10 | 1 | FI24 | ZF24 | 524NA | |
| - | 22226K | H3126 | HE3126 | FR230/13 | 2 | FI26 | ZF26 | 526NA | SN 526 |
| - | 23226K | H2326 | HE2326 | FR230/10 | 1 | FI26 | ZF26 | 526NA | |
| - | 22228K | H3128 | HE3128 | FR250/15 | 2 | FI28 | ZF28 | 528NA | SN 528 |
| - | 23228K | H2328 | HE2328 | FR250/10 | 1 | FI28 | ZF28 | 528NA | |
| - | 22230K | H3130 | HE3130 | FR270/16.5 | 2 | FI30 | ZF30 | 530NA | SN 530 |
| - | 23230K | H2330 | HE2330 | FR270/10 | 1 | FI30 | ZF30 | 530NA | |
| - | 22232K | H3132 | HE3132 | FR290/17 | 2 | FI32 | ZF32 | 532NA | SN 532 |
| - | 23232K | H2332 | HE2332 | FR290/10 | 1 | FI32 | ZF32 | 532NA | |

SN600 SERIES



DETAIL OF GROOVES

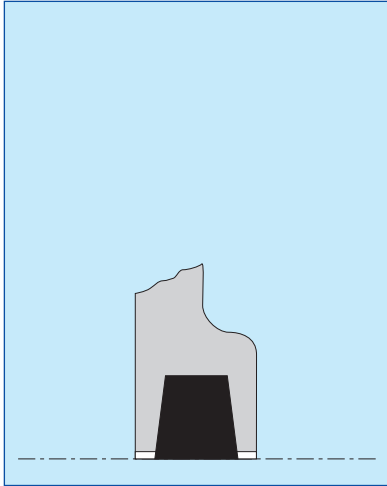


DIMENSIONS mm

| SERIES | d | | A | B | C | D | G | H | L | M | N | S | V | W | X | d2 | d3 | f1 | f2 | MASS kg |
|--------|----|------|-----|-----|----|-----|----|-----|-----|-----|----|----|----|-----|----|------|----|----|-----|---------|
| | MM | INCH | | | | | | | | | | | | | | | | | | |
| SN 605 | 20 | ¾ | 185 | 52 | 22 | 62 | 34 | 50 | 80 | 150 | 16 | 12 | 20 | 90 | 27 | 21.5 | 31 | 3 | 4.2 | 2.11 |
| SN 606 | 25 | 1 | 185 | 52 | 22 | 72 | 37 | 50 | 82 | 150 | 16 | 12 | 20 | 95 | 27 | 26.5 | 38 | 4 | 5.4 | 2.1 |
| SN 607 | 30 | 1½ | 205 | 60 | 25 | 80 | 41 | 60 | 90 | 170 | 16 | 12 | 20 | 110 | 32 | 31.5 | 43 | 4 | 5.4 | 3.4 |
| SN 608 | 35 | 1¼ | 205 | 60 | 25 | 90 | 43 | 60 | 95 | 170 | 15 | 12 | 24 | 115 | 34 | 36.5 | 48 | 4 | 5.4 | 3.6 |
| SN 609 | 40 | 1½ | 255 | 70 | 28 | 100 | 46 | 70 | 105 | 210 | 19 | 16 | 25 | 130 | 36 | 41.5 | 53 | 4 | 5.4 | 5.3 |
| SN 610 | 45 | 1¾ | 255 | 70 | 30 | 110 | 50 | 70 | 115 | 210 | 18 | 16 | 23 | 135 | 39 | 46.5 | 58 | 4 | 5.4 | 5.5 |
| SN 611 | 50 | 2 | 275 | 80 | 30 | 120 | 53 | 80 | 120 | 230 | 20 | 16 | 28 | 150 | 40 | 51.5 | 67 | 5 | 6.9 | 6.9 |
| SN 612 | 55 | 2½ | 280 | 80 | 30 | 130 | 56 | 80 | 125 | 230 | 20 | 16 | 28 | 155 | 44 | 56.5 | 72 | 5 | 6.9 | 8.8 |
| SN 613 | 60 | 2¼ | 315 | 90 | 32 | 140 | 58 | 95 | 130 | 260 | 22 | 20 | 30 | 175 | 46 | 62.0 | 77 | 5 | 6.8 | 9.8 |
| SN 615 | 65 | 2½ | 345 | 100 | 35 | 160 | 65 | 100 | 140 | 290 | 23 | 20 | 28 | 195 | 51 | 67.0 | 82 | 5 | 6.8 | 13 |
| SN 616 | 70 | 2¾ | 345 | 100 | 35 | 170 | 68 | 112 | 145 | 290 | 23 | 20 | 30 | 212 | 52 | 72.0 | 89 | 6 | 8.1 | 15.5 |

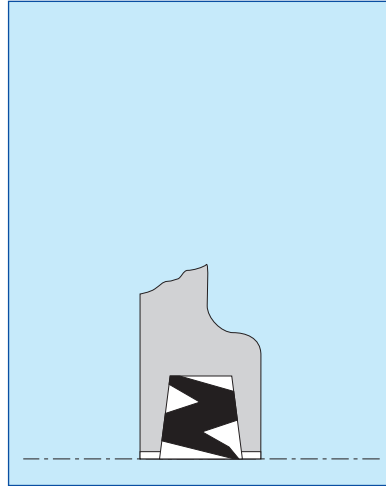
SEALING OPTIONS FOR SN500 AND 600 HOUSINGS

FELT SEAL FI



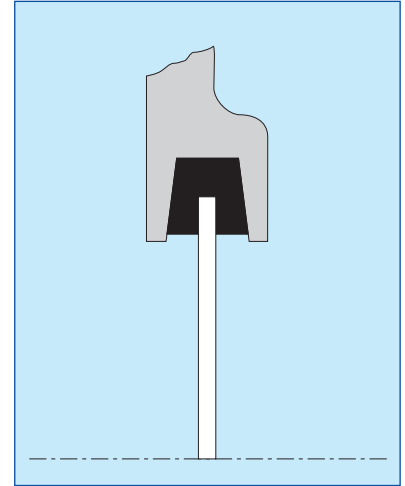
REF. FI10
= felt for SN610

SEAL ZF



REF. ZF10
= seal for SN610

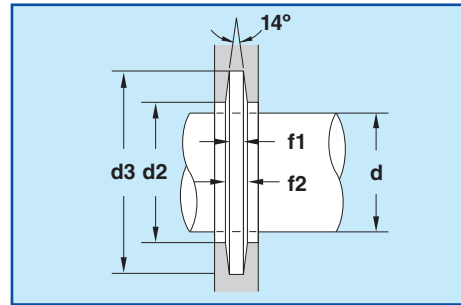
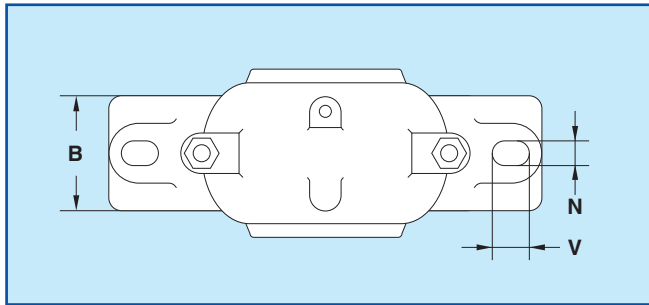
END COVER 600NA



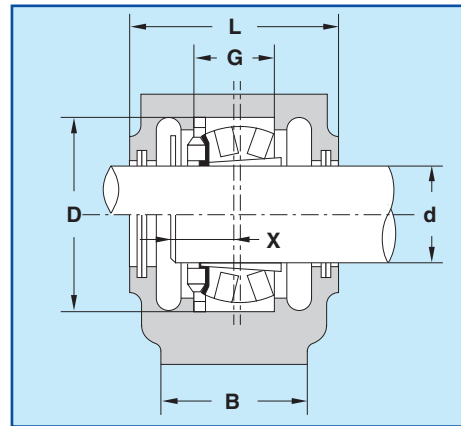
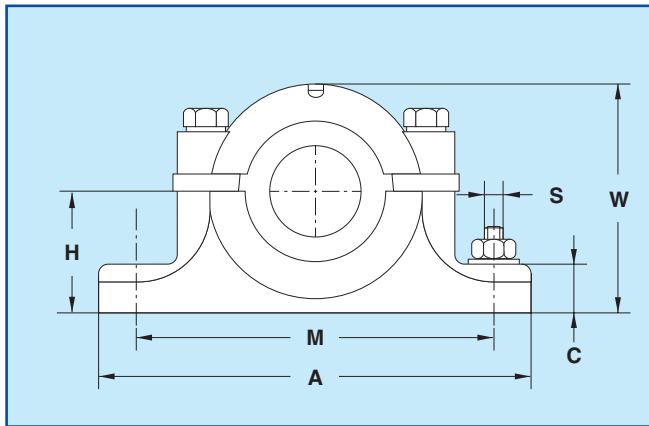
REF. 610NA
= end cover for SN610

| | BEARING | | ADAPTOR SLEEVE | | LOCATING RING | | SEAL OPTIONS | | | SERIES |
|--|----------------------------|--------------------------|----------------|--------|---------------|-----|--------------|----------|-----------|--------|
| | SELF-ALIGNING BALL BEARING | SPHERICAL ROLLER BEARING | METRIC | INCH | REF | QTY | FELT SEAL | ZF SEALS | END COVER | |
| | 1305K | - | H305 | HE305 | FR62/8.5 | 2 | FI05 | ZF05 | 605NA | SN 605 |
| | 2305K | - | H2305 | HE2305 | FR62/10 | 1 | FI05 | ZF05 | 605NA | |
| | 1306K | - | H306 | HE306 | FR72/9 | 2 | FI06 | ZF06 | 606NA | SN 606 |
| | 2306K | - | H2306 | HE2306 | FR72/10 | 1 | FI06 | ZF06 | 606NA | |
| | 1307K | - | H307 | HE307 | FR80/10 | 2 | FI07 | ZF07 | 607NA | SN 607 |
| | 2307K | - | H2307 | HE2307 | FR80/10 | 1 | FI07 | ZF07 | 607NA | |
| | 1308K | 21308K | H308 | HE308 | FR90/10 | 2 | FI08 | ZF08 | 608NA | SN 608 |
| | 2308K | 22308K | H2308 | HE2308 | FR90/10 | 1 | FI08 | ZF08 | 608NA | |
| | 1309K | 21309K | H309 | HE309 | FR100/10.5 | 2 | FI09 | ZF09 | 609NA | SN 609 |
| | 2309K | 22309K | H2309 | HE2309 | FR100/10 | 1 | FI09 | ZF09 | 609NA | |
| | 1310K | 21310K | H310 | HE310 | FR110/11.5 | 2 | FI10 | ZF10 | 610NA | SN 610 |
| | 2310K | 22310K | H2310 | HE2310 | FR110/10 | 1 | FI10 | ZF10 | 610NA | |
| | 1311K | 21311K | H311 | HE311 | FR120/12 | 2 | FI11 | ZF11 | 611NA | SN 611 |
| | 2311K | 22311K | H2311 | HE2311 | FR120/10 | 1 | FI11 | ZF11 | 611NA | |
| | 1312K | 21312K | H312 | HE312 | FR130/12.5 | 2 | FI12 | ZF12 | 612NA | SN 612 |
| | 2312K | 22312K | H2312 | HE2312 | FR130/10 | 1 | FI12 | ZF12 | 612NA | |
| | 1313K | 21313K | H313 | HE313 | FR140/12.5 | 2 | FI13 | ZF13 | 613NA | SN 613 |
| | 2313K | 22313K | H2313 | HE2313 | FR140/10 | 1 | FI13 | ZF13 | 613NA | |
| | 1315K | 21315K | H315 | HE315 | FR160/14 | 2 | FI15 | ZF15 | 615NA | SN 615 |
| | 2315K | 22315K | H2315 | HE2315 | FR160/10 | 1 | FI15 | ZF15 | 615NA | |
| | 1316K | 21316K | H316 | HE316 | FR170/14.5 | 2 | FI16 | ZF16 | 616NA | SN 616 |
| | 2316K | 22316K | H2316 | HE2316 | FR170/10 | 1 | FI16 | ZF16 | 616NA01 | |

SN600 SERIES (continued)



DETAIL OF GROOVES

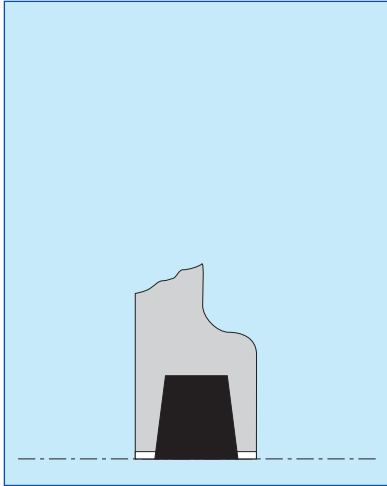


DIMENSIONS mm

| SERIES | d | | A | B | C | D | G | H | L | M | N | S | V | W | X | d2 | d3 | f1 | f2 | MASS kg |
|--------|-----|------|-----|-----|----|-----|-----|-----|-----|-----|----|----|----|-----|----|-----|-----|----|------|---------|
| | MM | INCH | | | | | | | | | | | | | | | | | | |
| SN 617 | 75 | 3 | 380 | 110 | 40 | 180 | 70 | 112 | 155 | 320 | 26 | 24 | 35 | 218 | 56 | 77 | 94 | 6 | 8.1 | 16.3 |
| SN 618 | 80 | 3¼ | 400 | 110 | 33 | 190 | 74 | 112 | 160 | 320 | 27 | 24 | 38 | 230 | 58 | 82 | 99 | 6 | 8.1 | 20 |
| SN 619 | 85 | - | 420 | 120 | 36 | 200 | 77 | 125 | 170 | 350 | 28 | 24 | 36 | 245 | 60 | 87 | 104 | 6 | 8.1 | 28 |
| SN 620 | 90 | 3½ | 420 | 120 | 38 | 215 | 83 | 140 | 175 | 350 | 27 | 24 | 33 | 280 | 64 | 92 | 111 | 7 | 9.3 | 30.5 |
| SN 622 | 100 | 4 | 460 | 130 | 40 | 240 | 90 | 150 | 190 | 390 | 28 | 24 | 38 | 300 | 69 | 102 | 125 | 8 | 10.0 | 42.0 |
| SN 624 | 110 | 4¼ | 540 | 160 | 50 | 260 | 96 | 160 | 205 | 450 | 34 | 30 | 42 | 325 | 73 | 113 | 135 | 8 | 10.7 | 59 |
| SN 626 | 115 | 4½ | 560 | 160 | 50 | 280 | 103 | 170 | 215 | 470 | 34 | 30 | 42 | 350 | 77 | 118 | 140 | 8 | 10.7 | 61.5 |
| SN 628 | 125 | 5 | 630 | 170 | 55 | 300 | 112 | 180 | 235 | 520 | 34 | 30 | 46 | 375 | 83 | 128 | 154 | 9 | 12.2 | 88 |
| SN 630 | 135 | 5¼ | 680 | 180 | 55 | 320 | 118 | 190 | 245 | 560 | 38 | 30 | 44 | 395 | 88 | 138 | 164 | 9 | 12.2 | 89 |
| SN 632 | 140 | 5½ | 710 | 190 | 60 | 340 | 124 | 200 | 255 | 580 | 40 | 36 | 52 | 415 | 93 | 143 | 173 | 10 | 13.7 | 127 |

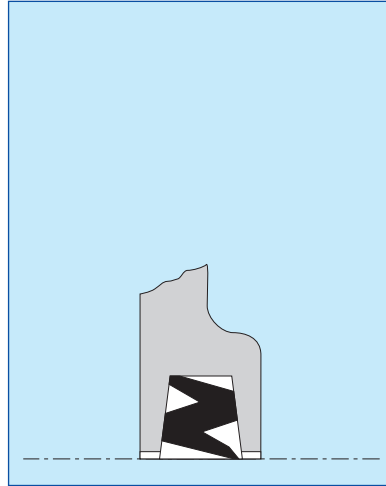
SEALING OPTIONS FOR SN500 AND 600 HOUSINGS

FELT SEAL FI



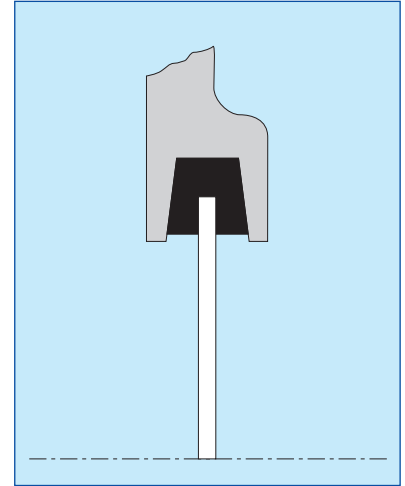
REF. FI10
= felt for SN610

SEAL ZF



REF. ZF10
= seal for SN610

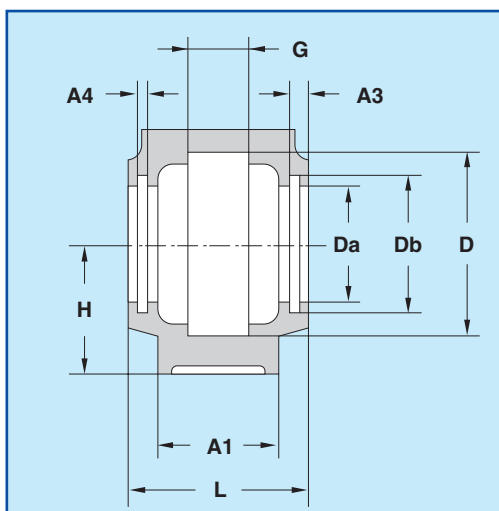
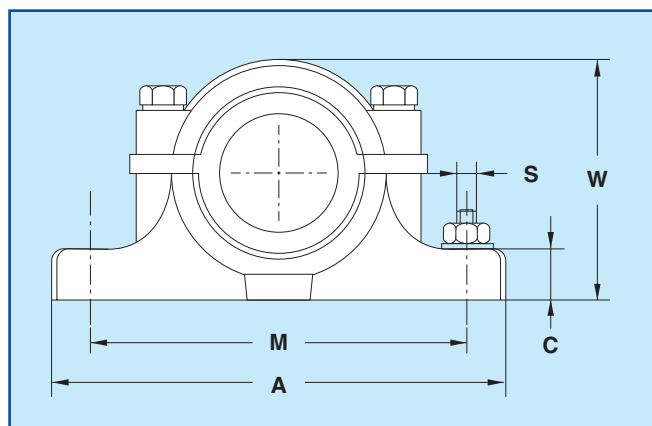
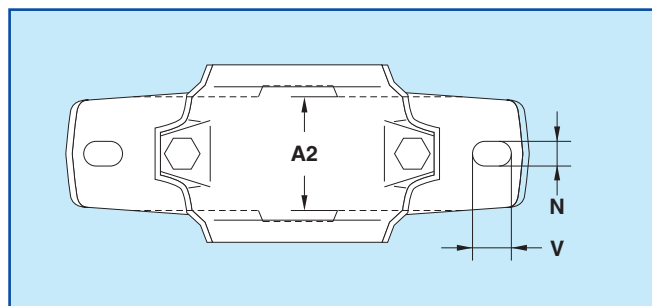
END COVER 600NA



REF. 610NA
= end cover for SN610

| BEARING | | ADAPTOR SLEEVE | | LOCATING RING | | SEAL OPTIONS | | | SERIES |
|----------------------------|--------------------------|----------------|--------|---------------|-----|--------------|---------|-----------|--------|
| SELF-ALIGNING BALL BEARING | SPHERICAL ROLLER BEARING | METRIC | INCH | REF | QTY | FELT SEAL | ZF SEAL | END COVER | |
| 1317K | 21317K | H317 | HE317 | FR180/14.5 | 2 | FI17 | ZF17 | 617NA | SN 617 |
| 2317K | 22317K | H2317 | HE2317 | FR180/10 | 1 | FI17 | ZF17 | 617NA | |
| 1318K | - | H318 | HE318 | FR190/15.5 | 2 | FI18 | ZF18 | 618NA | SN 618 |
| 2318K | 22318K | H2318 | HE2318 | FR190/10 | 1 | FI18 | ZF18 | 618NA | |
| 1319K | - | H319 | HE319 | FR200/16 | 2 | FI19 | ZF19 | 619NA | SN 619 |
| 2319K | 22319K | H2319 | HE2319 | FR200/10 | 1 | FI19 | ZF19 | 619NA | |
| 1320K | - | H320 | HE320 | FR215/18 | 2 | FI20 | ZF20 | 620NA | SN 620 |
| 2320K | 22320K | H2320 | HE2320 | FR215/10 | 1 | FI20 | ZF20 | 620NA | |
| 1322K | - | H322 | HE322 | FR240/20 | 2 | FI22 | ZF22 | 622NA | SN 622 |
| 2322K | 22322K | H2322 | HE2322 | FR240/10 | 1 | FI22 | ZF22 | 622NA | |
| - | 22324K | H2324 | HE2324 | FR260/10 | 1 | FI24 | ZF24 | 624NA | SN 624 |
| - | 22326K | H2326 | HE2326 | FR280/10 | 1 | FI26 | ZF26 | 626NA | SN 626 |
| - | 22328K | H2328 | HE2328 | FR300/10 | 1 | FI28 | ZF28 | 628NA | SN 628 |
| - | 22330K | H2330 | HE2330 | FR320/10 | 1 | FI30 | ZF30 | 630NA | SN 630 |
| - | 22332K | H2332 | HE2332 | FR340/10 | 1 | FI32 | ZF32 | 632NA | SN 632 |

SNU 500-600 SERIES



Fitted as standard, SNU 500-600 bearings have two-part U-LOK rubber seals – detailed on page 14.

| SERIES | HOUSING DIMENSIONS mm | | | | | | | | | | | | | | | | | MASS kg |
|-------------|-----------------------|-----|-----|------|----|----|-----|-------|-------|-----|-----|-----|-----|----|----|----|-----|---------|
| | A | A1 | A2 | A3 | A4 | C | D | Da | Db | G | H | L | M | N | S | V | W | |
| SNU 506-605 | 185 | 52 | 45 | 7.5 | 5 | 22 | 62 | 36.5 | 44.5 | 32 | 50 | 77 | 150 | 13 | 10 | 22 | 87 | 2.0 |
| SNU 507-606 | 185 | 52 | 45 | 7.5 | 5 | 22 | 72 | 46.5 | 54.5 | 34 | 50 | 82 | 150 | 13 | 10 | 20 | 92 | 2.2 |
| SNU 508-607 | 205 | 60 | 50 | 7.5 | 5 | 25 | 80 | 51.5 | 59.5 | 39 | 60 | 85 | 170 | 15 | 12 | 20 | 106 | 2.9 |
| SNU 509 | 205 | 60 | 50 | 8.5 | 5 | 25 | 85 | 56.5 | 64.5 | 30 | 60 | 85 | 170 | 15 | 12 | 20 | 106 | 3.2 |
| SNU 510-608 | 205 | 60 | 50 | 8.5 | 5 | 25 | 90 | 62.0 | 70.5 | 41 | 60 | 90 | 170 | 15 | 12 | 20 | 112 | 3.5 |
| SNU 511-609 | 255 | 70 | 58 | 8.5 | 5 | 28 | 100 | 67.0 | 75.5 | 44 | 70 | 95 | 210 | 18 | 16 | 23 | 127 | 5.0 |
| SNU 512-610 | 255 | 70 | 60 | 8.5 | 5 | 30 | 110 | 72.0 | 80.5 | 48 | 70 | 105 | 210 | 18 | 16 | 23 | 133 | 5.4 |
| SNU 513-611 | 275 | 80 | 65 | 8.5 | 5 | 30 | 120 | 77.0 | 85.5 | 51 | 80 | 110 | 230 | 18 | 16 | 24 | 148 | 6.5 |
| SNU 515-612 | 280 | 80 | 65 | 8.5 | 5 | 30 | 130 | 87.0 | 95.5 | 56 | 80 | 115 | 230 | 18 | 16 | 26 | 154 | 6.7 |
| SNU 516-613 | 315 | 90 | 75 | 10.5 | 5 | 32 | 140 | 92.5 | 101.0 | 58 | 95 | 120 | 260 | 22 | 20 | 29 | 175 | 9.6 |
| SNU 517 | 320 | 75 | 75 | 10.5 | 5 | 32 | 150 | 97.5 | 106.0 | 61 | 95 | 125 | 260 | 22 | 20 | 30 | 181 | 10.8 |
| SNU 518-615 | 345 | 85 | 85 | 10.5 | 5 | 35 | 160 | 102.5 | 111.0 | 65 | 100 | 140 | 290 | 22 | 20 | 27 | 192 | 14.0 |
| SNU 519-616 | 345 | 85 | 85 | 11.5 | 6 | 35 | 170 | 131.0 | 141.0 | 68 | 112 | 145 | 290 | 22 | 20 | 27 | 209 | 15.5 |
| SNU 520-617 | 380 | 95 | 95 | 11.5 | 6 | 40 | 180 | 137.5 | 147.5 | 70 | 112 | 160 | 320 | 26 | 24 | 32 | 215 | 20.0 |
| SNU 522-619 | 410 | 100 | 100 | 11.5 | 6 | 45 | 200 | 147.5 | 157.5 | 80 | 125 | 175 | 350 | 26 | 24 | 32 | 239 | 24.5 |
| SNU 524-620 | 410 | 100 | 100 | 11.5 | 6 | 45 | 215 | 157.5 | 167.5 | 86 | 140 | 185 | 350 | 26 | 24 | 32 | 271 | 30.7 |
| SNU 526 | 445 | 110 | 110 | 13.0 | 6 | 50 | 230 | 167.5 | 177.5 | 90 | 150 | 190 | 380 | 28 | 24 | 35 | 290 | 36.7 |
| SNU 528 | 500 | 130 | 130 | 13.0 | 6 | 50 | 250 | 177.5 | 187.5 | 98 | 150 | 205 | 420 | 35 | 30 | 42 | 302 | 47.5 |
| SNU 530 | 530 | 140 | 140 | 13.5 | 6 | 60 | 270 | 192.5 | 202.5 | 106 | 160 | 220 | 450 | 35 | 30 | 42 | 323 | 61.0 |
| SNU 532 | 550 | 140 | 140 | 13.5 | 6 | 60 | 290 | 202.5 | 212.5 | 114 | 170 | 235 | 470 | 35 | 30 | 42 | 344 | 64.0 |

SNU 500-600 SERIES

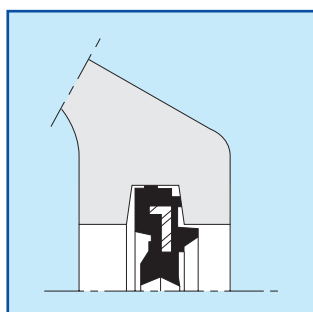
TABLE OF COMPONENTS

| SHAFT ø mm | HOUSING REF | BEARING | | ADAPTOR SLEEVE | | | | LOCATING RING | | END COVER |
|---------------|----------------|-----------------------------|---------------------------|----------------|--------------|----------|-----------|---------------|-----|--------------|
| | | SELF ALIGN BALL BEAR. | SPHER. ROLL BEARING | H | SEAL OPTIONS | | | REF | QTY | |
| | | | | | U-LOK | V - RING | LABYRINTH | | | |
| 20 | SNU 505 | 1205 K | - | H 205 | U505 | TSNA505 | TS505U | FR52/5 | 2 | 505A |
| | SNU 505 | 2205 K | 22205 K | H 305 | U505 | TSNA505 | TS505U | FR52/7 | 1 | 505A |
| | SNU 506-605 | 1305 K | - | H 305 | U605 | TSNA605 | TS605U | FR62/7.5 | 2 | 506A |
| | SNU 506-605 | 2305 K | - | H 2305 | U605 | TSNA605 | TS605U | FR62/8 | 1 | 506A |
| 25 | SNU 506-605 | 1206 K | - | H 206 | U506 | TSNA506 | TS506U | FR62/ 8 | 2 | 506A |
| | SNU 506-605 | 2206 K | 22206 K | H 306 | U506 | TSNA506 | TS506U | FR62/6 | 2 | 506A |
| | SNU 507-606 | 1306 K | - | H 306 | U606 | TSNA606 | TS606U | FR72/7.5 | 2 | 507A |
| | SNU 507-606 | 2306 K | - | H 2306 | U606 | TSNA606 | TS606U | FR72/7 | 1 | 507A |
| 30 | SNU 507-606 | 1207 K | - | H 207 | U507 | TSNA507 | TS507U | FR72/8.5 | 2 | 507A |
| | SNU 508-607 | 1307 K | - | H 307 | U607 | TSNA607 | TS607U | FR80/9 | 2 | 508A |
| | SNU 507-606 | 2207 K | 22207 K | H 307 | U507 | TSNA507 | TS507U | FR72/5.5 | 2 | 507A |
| | SNU 508-607 | 2307 K | - | H 2307 | U607 | TSNA607 | TS607U | FR80/8 | 1 | 508A |
| 35 | SNU 508-607 | 1208 K | - | H 208 | U508 | TSNA508 | TS508U | FR80/10.5 | 2 | 508A |
| | SNU 510-608 | 1308 K | 21308 K | H 308 | U608 | TSNA608 | TS608U | FR90/9 | 2 | 510A |
| | SNU 510-608 | 2308 K | 22308 K | H 2308 | U608 | TSNA608 | TS608U | FR90/ 8 | 1 | 510A |
| | SNU 508-607 | 2208 K | 22208 K | H 308 | U508 | TSNA508 | TS508U | FR80/8 | 2 | 508A |
| 40 | SNU 509 | 1209 K | - | H 209 | U509 | TSNA509 | TS509U | FR85/5.5 | 2 | 509A |
| | SNU 511-609 | 1309 K | 21309 K | H 309 | U609 | TSNA609 | TS609U | FR100/9.5 | 2 | 511A |
| | SNU 511-609 | 2309 K | 22309 K | H 2309 | U609 | TSNA609 | TS609U | FR100/8 | 1 | 511A |
| | SNU 509 | 2209 K | 22209 K | H 309 | U509 | TSNA509 | TS509U | FR85/7 | 1 | 509A |
| 45 | SNU 510-608 | 1210 K | - | H 210 | U510 | TSNA510 | TS510U | FR90/10.5 | 2 | 510A |
| | SNU 512-610 | 1310 K | 21310 K | H 310 | U610 | TSNA610 | TS610U | FR110/10.5 | 2 | 512A |
| | SNU 512-610 | 2310 K | 22310 K | H 2310 | U610 | TSNA610 | TS610U | FR110/8 | 1 | 512A |
| | SNU 510-608 | 2210 K | 22210 K | H 310 | U510 | TSNA510 | TS510U | FR90/9 | 2 | 510A |
| 50 | SNU 511-609 | 1211 K | - | H 211 | U511 | TSNA511 | TS511U | FR100/11.5 | 2 | 511A |
| | SNU 513-611 | 1311 K | 21311 K | H 311 | U611 | TSNA611 | TS611U | FR120/11 | 2 | 513A |
| | SNU 513-611 | 2311 K | 22311 K | H 2311 | U611 | TSNA611 | TS611U | FR120/8 | 1 | 513A |
| | SNU 511-609 | 2211 K | 22211 K | H 311 | U511 | TSNA511 | TS511U | FR100/9.5 | 2 | 511A |
| 55 | SNU 512-610 | 1212 K | - | H 212 | U512 | TSNA512 | TS512U | FR110/13 | 2 | 512A |
| | SNU 515-612 | 1312 K | 21312 K | H 312 | U612 | TSNA612 | TS612U | FR130/12.5 | 2 | 515A |
| | SNU 515-612 | 2312 K | 22312 K | H 2312 | U612 | TSNA612 | TS612U | FR130/10 | 1 | 515A |
| | SNU 512-610 | 2212 K | 22212 K | H 312 | U512 | TSNA512 | TS512U | FR110/10 | 2 | 512A |
| 60 | SNU 513-611 | 1213 K | - | H 213 | U513 | TSNA513 | TS513U | FR120/14 | 2 | 513A |
| | SNU 516-613 | 1313 K | 21313 K | H 313 | U613 | TSNA613 | TS613U | FR140/12.5 | 2 | 516A |
| | SNU 516-613 | 2313 K | 22313 K | H 2313 | U613 | TSNA613 | TS613U | FR140/10 | 1 | 516A |
| | SNU 513-611 | 2213 K | 22213 K | H 313 | U513 | TSNA513 | TS513U | FR120/10 | 2 | 513A |
| 65 | SNU 515-612 | 1215 K | - | H 215 | U515 | TSNA515 | TS515U | FR130/15.5 | 2 | 515A |
| | SNU 518-615 | 1315 K | 21315 K | H 315 | U615 | TSNA615 | TS615U | FR160/14 | 2 | 518A |
| | SNU 518-615 | 2315 K | 22315 K | H 2315 | U615 | TSNA615 | TS615U | FR160/10 | 1 | 518A |
| | SNU 515-612 | 2215 K | 22215 K | H 315 | U515 | TSNA515 | TS515U | FR130/12.5 | 2 | 515A |
| 70 | SNU 516-613 | 1216 K | - | H 216 | U516 | TSNA516 | TS516U | FR140/16 | 2 | 516A |
| | SNU 519-616 | 1316 K | 21316 K | H 316 | U616 | TSNA616 | TS616U | FR170/14.5 | 2 | 519A |
| | SNU 519-616 | 2316 K | 22316 K | H 2316 | U616 | TSNA616 | TS616U | FR170/10 | 1 | 519A |
| | SNU 516-613 | 2216 K | 22216 K | H 316 | U516 | TSNA516 | TS516U | FR140/12.5 | 2 | 516A |
| 75 | SNU 517 | 1217 K | - | H 217 | U517 | TSNA517 | TS517U | FR150/16.5 | 2 | 517A |
| | SNU 520-617 | 1317 K | 21317 K | H 317 | U617 | TSNA617 | TS617U | FR180/14.5 | 2 | 520A |
| | SNU 520-617 | 2317 K | 22317 K | H 2317 | U617 | TSNA617 | TS617U | FR180/10 | 1 | 520A |
| | SNU 517 | 2217 K | 22217 K | H 317 | U517 | TSNA517 | TS517U | FR150/12.5 | 2 | 517A |

SNU 500-600 SERIES (continued)

TABLE OF COMPONENTS (continued)

| SHAFT ø mm | HOUSING REF | BEARING | | SEAL OPTIONS | | | | LOCATING RING | | END COVER |
|---------------|----------------|-----------------------------|---------------------------|--------------|-------|----------|----------|---------------|-----|--------------|
| | | SELF ALIGN BALL BEAR. | SPHER. ROLL BEARING | SLEEVE | | | | REF | QTY | |
| | | | | H | U-LOK | V - RING | LABRINTH | | | |
| 80 | SNU 518-615 | 1218 K | - | H 218 | U518 | TSNA518 | TS518U | FR160/17.5 | 2 | 518A |
| | SNU 518-615 | 2218 K | 22218 K | H 318 | U518 | TSNA518 | TS518U | FR160/12.5 | 2 | 518A |
| | SNU 518-615 | - | 23218 K | H 2318 | U518 | TSNA518 | TS518U | FR160/12.5 | 1 | 518A |
| 85 | SNU 519-616 | 1219 K | - | H 219 | U519 | TSNA519 | TS519U | FR170/9 | 4 | 519A |
| | SNU 519-616 | 2219 K | 22219 K | H 319 | U519 | TSNA519 | TS519U | FR170/12.5 | 2 | 519A |
| | SNU 522-619 | 2319 K | 22319 K | H 2319 | U619 | TSNA619 | TS619U | FR200/13 | 1 | 522A |
| 90 | SNU 520-617 | 1220 K | - | H 220 | U520 | TSNA520 | TS520U | FR180/9 | 4 | 520A |
| | SNU 524-620 | 1320 K | 21320 K | H 320 | U620 | TSNA620 | TS620U | FR215/13 | 3 | 524A |
| | SNU 524-620 | 2320 K | 22320 K | H 2320 | U620 | TSNA620 | TS620U | FR215/13 | 1 | 524A |
| | SNU 520-617 | 2220 K | 22220 K | H 320 | U520 | TSNA520 | TS520U | FR180/12 | 2 | 520A |
| | SNU 520-617 | - | 23220 K | H 2320 | U520 | TSNA520 | TS520U | FR180/9.7 | 1 | 520A |
| 100 | SNU 522-619 | 1222 K | - | H 222 | U522 | TSNA522 | TS522U | FR200/10.5 | 4 | 522A |
| | SNU 522-619 | 2222 K | 22222 K | H 322 | U522 | TSNA522 | TS522U | FR200/13.5 | 2 | 522A |
| | SNU 522-619 | - | 23222 K | H 2322 | U522 | TSNA522 | TS522U | FR200/10 | 1 | 522A |
| 110 | SNU 524-620 | - | 22224 K | H 3124 | U524 | TSNA524 | TS524U | FR215/14 | 2 | 524A |
| | SNU 524-620 | - | 23224 K | H 2324 | U524 | TSNA524 | TS524U | FR215/10 | 1 | 524A |
| 115 | SNU 526 | - | 22226 K | H 3126 | U526 | TSNA526 | TS526U | FR230/13 | 2 | 526A |
| | SNU 526 | - | 23226 K | H 2326 | U526 | TSNA526 | TS526U | FR230/10 | 1 | 526A |
| 125 | SNU 528 | - | 22228 K | H 3128 | U528 | TSNA528 | TS528U | FR250/15 | 2 | 528A |
| | SNU 528 | - | 23228 K | H 2328 | U528 | TSNA528 | TS528U | FR250/10 | 1 | 528A |
| 135 | SNU 530 | - | 22230 K | H 3130 | U530 | TSNA530 | TS530U | FR270/16.5 | 2 | 530A |
| | SNU 530 | - | 23230 K | H 2330 | U530 | TSNA530 | TS530U | FR270/10 | 1 | 530A |
| 140 | SNU 532 | - | 22232 K | H 3132 | U532 | TSNA532 | TS532U | FR290/17 | 2 | 532A |
| | SNU 532 | - | 23232 K | H 2332 | U532 | TSNA532 | TS532U | FR290/10 | 1 | 532A |



U-LOK SEALS IN TWO PARTS

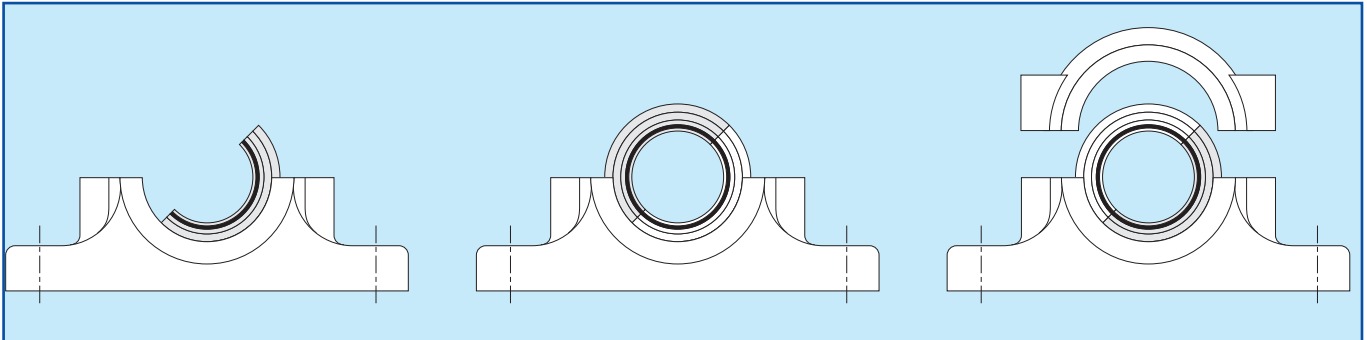
The U-LOK seal is a synthetic rubber seal in two parts reinforced by a steel washer which is highly resistant to hydrocarbons and abrasives. Two sealing lips keep the lubricant inside the casing and prevent the ingress of foreign material.

Its two part design allows it to be fitted and replaced without removal of either the bearing or the shaft.

The half-seals are completely interchangeable, facilitating storage and replacement.

| | |
|--------------------|----------------------|
| Max. linear speed | 8m/s |
| Max. misalignment | |
| Up to 100 mm diam. | 1° |
| Above 100 mm diam. | 0.5° |
| Temperature range | From -40° C to 100°C |

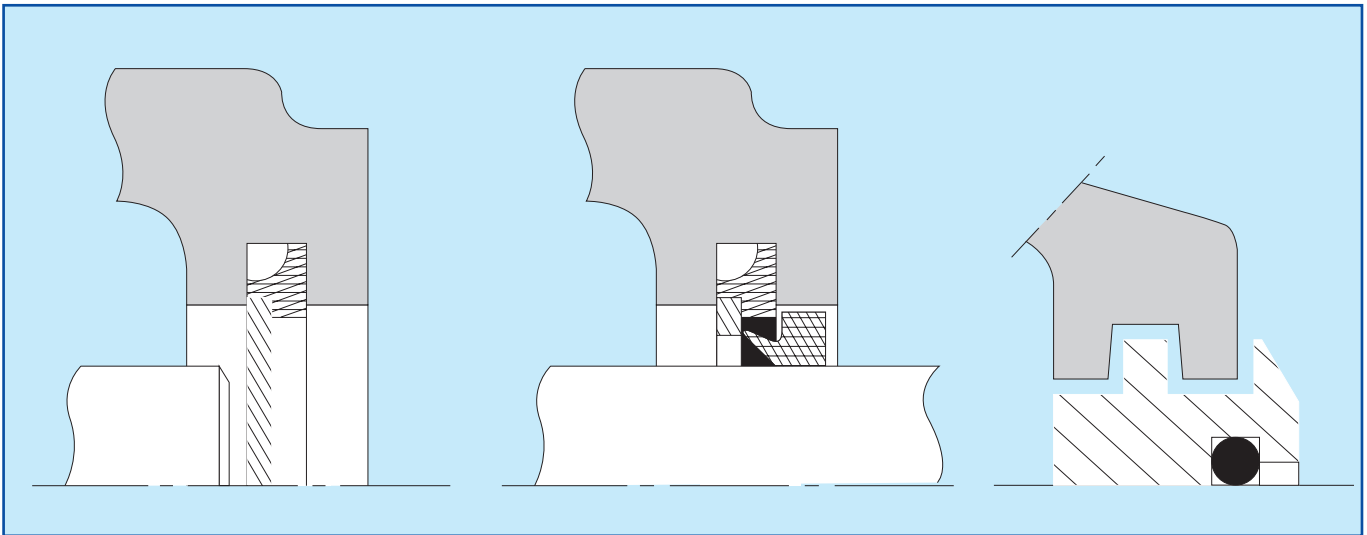
MOUNTING OF U-LOK SEAL



Mount one half-seal in the lower housing, offsetting the cutting plane by approximately 45°.

Position the other half-seal in the free section of the lower housing.

Assemble the upper cover, while ensuring the seals penetrate well into the grooves.



END COVER 500A

**V-RING SEAL
TSNA500 & TSNA600**

**LABYRINTH SEAL
TS500U & TS600U**

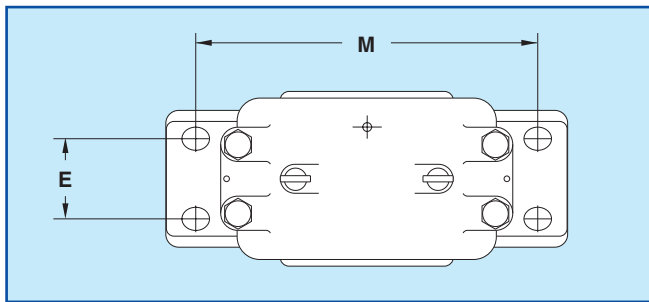
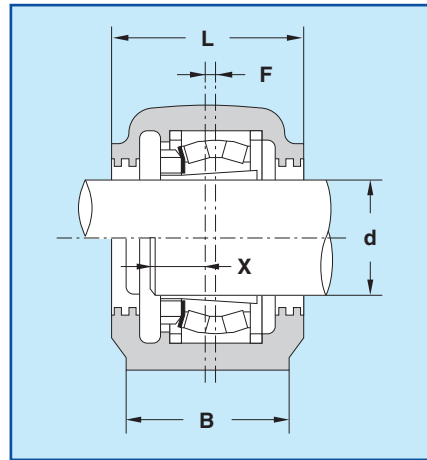
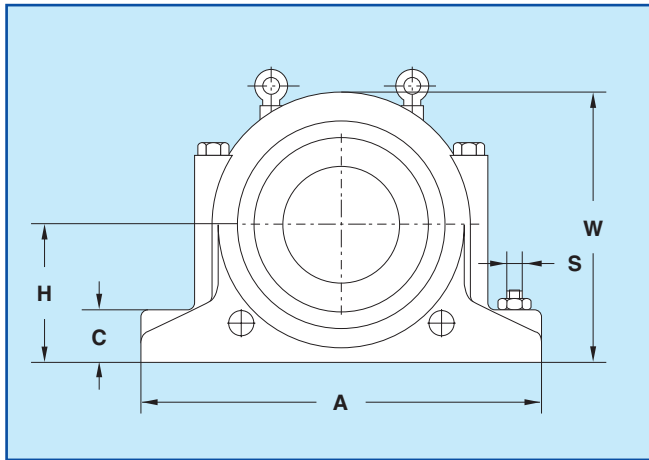
V-RING SEAL

| | |
|--------------------|---------------------|
| Max. linear speed | 12m/s |
| Max. misalignment | |
| Up to 50 mm diam. | 1.5° |
| Up to 140 mm diam. | 1° |
| Temperature range | from -40°C to 100°C |

LABYRINTH SEAL

| | |
|-------------------|-----------------------|
| Max. linear speed | Limit speed |
| Max. misalignment | 0.3° |
| Temperature range | From -40° C to 100° C |

SD 3100 SERIES

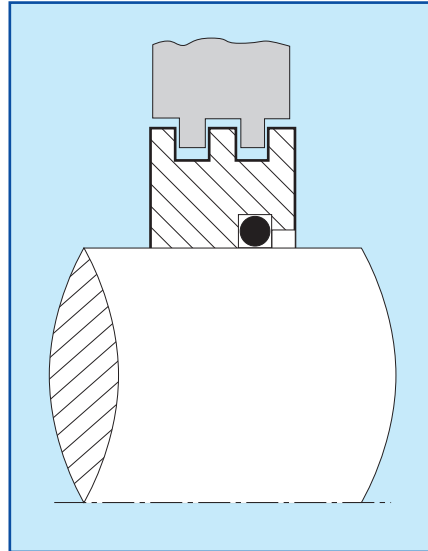


TRIPLE (TS) LABYRINTH SEAL AND END COVER

DIMENSIONS mm

| SERIES | d | | | | | | | | | | | | | |
|---------|-----|------|------|-----|-----|-----|----|-----|-----|------|----|-----|-----|-----|
| | MM | INCH | A | B | C | E | F | H | L | M | S | W | X | Z |
| SD 3134 | 150 | 6 | 510 | 180 | 70 | 100 | 14 | 170 | 230 | 430 | 24 | 335 | 65 | 120 |
| SD 3136 | 160 | 6½ | 530 | 190 | 75 | 110 | 15 | 180 | 240 | 450 | 24 | 355 | 68 | 130 |
| SD 3138 | 170 | 6¾ | 560 | 210 | 80 | 120 | 10 | 190 | 260 | 480 | 24 | 375 | 80 | 140 |
| SD 3140 | 180 | 7 | 610 | 230 | 85 | 130 | 10 | 210 | 280 | 510 | 30 | 410 | 82 | 150 |
| SD 3144 | 200 | - | 640 | 240 | 90 | 140 | 12 | 220 | 290 | 540 | 30 | 435 | 90 | 155 |
| SD 3148 | 220 | - | 700 | 260 | 95 | 150 | 12 | 240 | 310 | 600 | 30 | 475 | 100 | 160 |
| SD 3152 | 240 | - | 770 | 280 | 100 | 160 | 13 | 260 | 320 | 650 | 36 | 515 | 105 | 170 |
| SD 3156 | 260 | - | 790 | 280 | 105 | 160 | 16 | 280 | 330 | 670 | 36 | 550 | 105 | 170 |
| SD 3160 | 280 | - | 830 | 310 | 110 | 190 | 22 | 300 | 350 | 710 | 36 | 590 | 110 | 190 |
| SD 3164 | 300 | - | 880 | 330 | 115 | 200 | 23 | 320 | 370 | 750 | 36 | 630 | 120 | 200 |
| SD 3168 | 320 | - | 965 | 380 | 120 | 240 | 25 | 340 | 390 | 840 | 45 | 670 | 135 | 220 |
| SD 3172 | 340 | - | 1040 | 390 | 130 | 255 | 22 | 360 | 400 | 890 | 50 | 720 | 145 | 225 |
| SD 3176 | 360 | - | 1120 | 400 | 135 | 255 | 22 | 380 | 405 | 980 | 55 | 750 | 145 | 240 |
| SD 3180 | 380 | - | 1245 | 420 | 140 | 270 | 22 | 400 | 425 | 1050 | 60 | 790 | 150 | 260 |

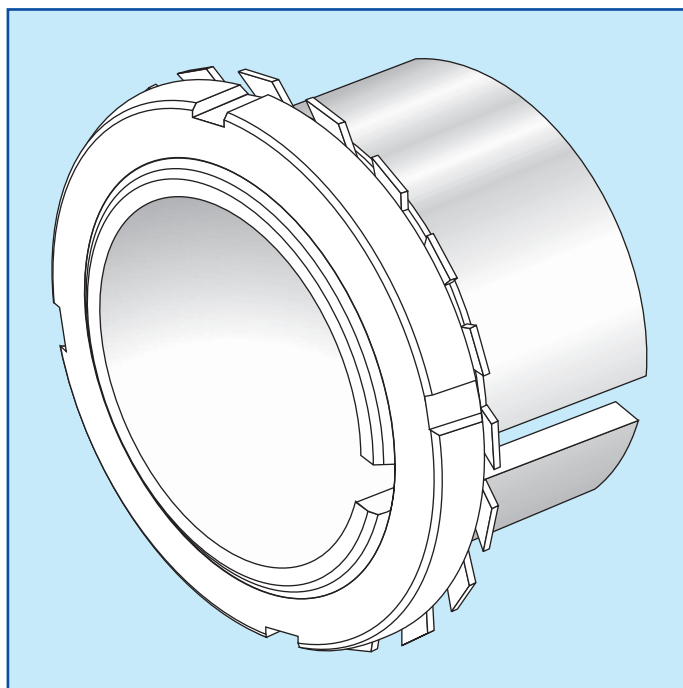
SD 3100 SERIES



TRIPLE LABYRINTH SEAL (TS)
TS36 = SEAL FOR SD3136

| BEARINGS | | ADAPTOR SLEEVE | | LOCATING RING | | SEAL OPTIONS | | SERIES |
|----------|--------------------------|----------------|--------|---------------|-----|----------------|-----------|---------|
| MASS kg | SPHERICAL ROLLER BEARING | METRIC | INCH | REF | QTY | LABYRINTH SEAL | END COVER | |
| 66 | 23134K | H3134 | HE3134 | FR280/10 | 2 | TS34 | TSA34 | SD 3134 |
| 75 | 23136K | H3136 | HE3136 | FR300/10 | 2 | TS36 | TSA36 | SD 3136 |
| 87 | 23138K | H3138 | HE3138 | FR320/10 | 2 | TS38 | TSA38 | SD 3138 |
| 113 | 23140K | H3140 | HE3140 | FR340/10 | 2 | TS40 | TSA40 | SD 3140 |
| 129 | 23144K | H3144 | - | FR370/10 | 2 | TS44 | TSA44 | SD 3144 |
| 163 | 23148K | H3148 | - | FR400/10 | 2 | TS48 | TSA48 | SD 3148 |
| 199 | 23152K | H3152 | - | FR440/10 | 2 | TS52 | TSA52 | SD 3152 |
| 226 | 23156K | H3156 | - | FR460/10 | 2 | TS56 | TSA56 | SD 3156 |
| 283 | 23160K | H3160 | - | FR500/10 | 2 | TS60 | TSA60 | SD 3160 |
| 346 | 23164K | H3164 | - | FR540/10 | 2 | TS64 | TSA64 | SD 3164 |
| 514 | 23168K | H3168 | - | FR580/10 | 2 | TS68 | TSA68 | SD 3168 |
| 594 | 23172K | H3172 | - | FR600/10 | 2 | TS72 | TSA72 | SD 3172 |
| 702 | 23176K | H3176 | - | FR620/10 | 2 | TS76 | TSA76 | SD 3176 |
| 740 | 23180K | H3180 | - | FR650/10 | 2 | TS80 | TSA80 | SD 3180 |

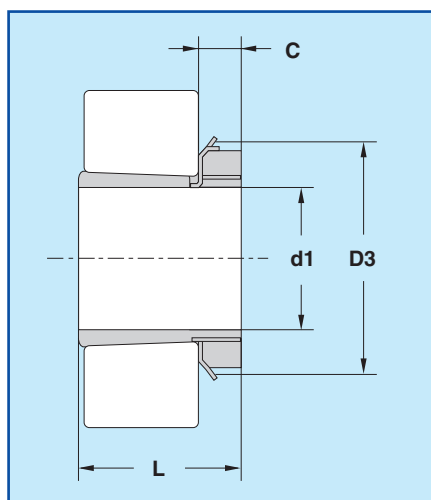
SLEEVES, LOCKNUTS AND WASHERS



SLEEVE CROSS REFERENCE TABLE

| SLEEVES | H 200 | H 300 | H 2300 | H 3000 | H 3100 | H 3200 |
|---|------------------------------------|--|--------------------------------------|--|--|----------------------|
| RIGID RADIAL BALL BEARINGS | 6211K to 6222K | 6311K to 6322K | - | 6224K to 6240K | 6324K to 6340K | - |
| DOUBLE ROW SELF-ALIGNING BALL BEARINGS | 1204K to 1222K | 1304K to 1322K 2204K to 2222K | 2304K to 2322K | - | - | - |
| SPHERICAL ROLLER BEARINGS | - | 22205K to 22222K 21304K to 21322K | 23218K to 23256K 22308K to 22356K | 23024K to 230 / 500K | 23122K to 230 / 500K 22224K to 22264K | 23260K to 232 / 500K |
| CYLINDRICAL ROLLER BEARINGS | N206K to N222K NU204K to NU222K | NU2205K to NU2222K N306K to N322K NU304K to NU322K | NU2305K to NU2356K | N224K to N264K NU224K to NU264K N344K to N356K NU344K to NU356K | NU2224K to NU2264K N324K to N340K NU324K to NU340K | - |

SLEEVES, LOCKNUTS AND WASHERS



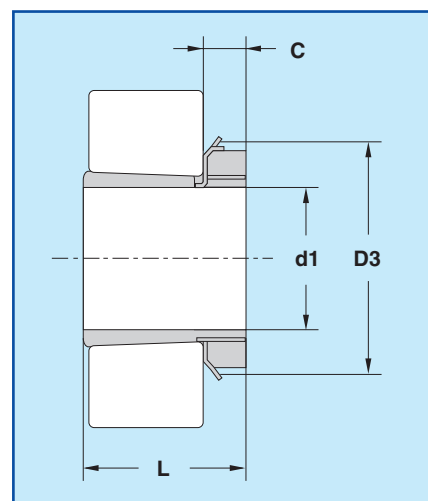
| | | |
|--------|---|--------|
| SERIES | H200 H300 | Metric |
| | HE200 HE300 HS200 HS300 HA200 | Inch |

| SLEEVE | d1 | | | | L mm | D3 mm | C mm | WEIGHT kg | NUT | LOCK WASHER |
|--------|---------|-------|-------|---------|---------|----------|---------|--------------|-------|----------------|
| | H mm | HE | HS | HA | | | | | | |
| H204 | 17 | - | - | - | 24 | 32 | 7 | 0.041 | KM 04 | MB 04 |
| H205 | 20 | 3/4 | 7/8 | - | 26 | 38 | 8 | 0.070 | KM 05 | MB 05 |
| H206 | 25 | 1 | 7/8 | 15/16 | 27 | 45 | 8 | 0.099 | KM 06 | MB 06 |
| H207 | 30 | - | 1 1/8 | 1 3/16 | 29 | 52 | 9 | 0.125 | KM 07 | MB 07 |
| H208 | 35 | 1 1/4 | 1 3/8 | 1 5/16 | 31 | 58 | 10 | 0.174 | KM 08 | MB 08 |
| H209 | 40 | 1 1/2 | 1 5/8 | 1 7/16 | 33 | 65 | 11 | 0.227 | KM 09 | MB 09 |
| H210 | 45 | 1 3/4 | 1 5/8 | 1 11/16 | 35 | 70 | 12 | 0.274 | KM 10 | MB 10 |
| H211 | 50 | 2 | 1 7/8 | 1 15/16 | 37 | 75 | 12 | 0.308 | KM 11 | MB 11 |
| H212 | 55 | - | 2 1/8 | - | 38 | 80 | 13 | 0.346 | KM 12 | MB 12 |
| H213 | 60 | 2 1/4 | 2 3/8 | 2 3/16 | 40 | 85 | 14 | 0.401 | KM 13 | MB 13 |
| H215 | 65 | 2 1/2 | - | 2 7/16 | 43 | 98 | 15 | 0.707 | KM 15 | MB 15 |
| H216 | 70 | 2 3/4 | - | 2 11/16 | 46 | 105 | 17 | 0.882 | KM 16 | MB 16 |
| H217 | 75 | 3 | - | 2 15/16 | 50 | 110 | 18 | 1.020 | KM 17 | MB 17 |
| H218 | 80 | - | - | 3 3/16 | 52 | 120 | 18 | 1.190 | KM 18 | MB 18 |
| H219 | 85 | 3 1/4 | - | - | 55 | 125 | 19 | 1.370 | KM 19 | MB 19 |
| H220 | 90 | 3 1/2 | - | 3 7/16 | 58 | 130 | 20 | 1.490 | KM 20 | MB 20 |
| H222 | 100 | 4 | - | 3 15/16 | 63 | 145 | 21 | 1.930 | KM 22 | MB 22 |
| H304 | 17 | - | - | - | 28 | 32 | 7 | 0.045 | KM 04 | MB 04 |
| H305 | 20 | 3/4 | 7/8 | - | 29 | 38 | 8 | 0.075 | KM 05 | MB 05 |
| H306 | 25 | 1 | 7/8 | 15/16 | 31 | 45 | 8 | 0.109 | KM 06 | MB 06 |
| H307 | 30 | - | 1 1/8 | 1 3/16 | 35 | 52 | 9 | 0.142 | KM 07 | MB 07 |
| H308 | 35 | 1 1/4 | 1 3/8 | 1 5/16 | 36 | 58 | 10 | 0.189 | KM 08 | MB 08 |
| H309 | 40 | 1 1/2 | 1 5/8 | 1 7/16 | 39 | 65 | 11 | 0.248 | KM 09 | MB 09 |
| H310 | 45 | 1 3/4 | 1 5/8 | 1 11/16 | 42 | 70 | 12 | 0.303 | KM 10 | MB 10 |
| H311 | 50 | 2 1/2 | 1 7/8 | 1 15/16 | 45 | 75 | 12 | 0.345 | KM 11 | MB 11 |
| H312 | 55 | 2 3/4 | 2 1/8 | - | 47 | 80 | 13 | 0.394 | KM 12 | MB 12 |
| H313 | 60 | 3 | 2 3/8 | 2 3/16 | 50 | 85 | 14 | 0.458 | KM 13 | MB 13 |
| H315 | 65 | 3 1/4 | - | 2 7/16 | 55 | 98 | 15 | 0.831 | KM 15 | MB 15 |
| H316 | 70 | 3 1/2 | - | 2 11/16 | 59 | 105 | 17 | 1.030 | KM 16 | MB 16 |
| H317 | 75 | - | - | 2 15/16 | 63 | 110 | 18 | 1.180 | KM 17 | MB 17 |
| H318 | 80 | - | - | 3 3/16 | 65 | 120 | 18 | 1.370 | KM 18 | MB 18 |
| H319 | 85 | - | - | - | 68 | 125 | 19 | 1.560 | KM 19 | MB 19 |
| H320 | 90 | - | - | 3 7/16 | 71 | 130 | 20 | 1.690 | KM 20 | MB 20 |
| H322 | 100 | 4 | - | 3 15/16 | 77 | 145 | 21 | 2.180 | KM 22 | MB 22 |

The reference for the sleeve includes the nut and the lock washer.

SLEEVES, LOCKNUTS AND WASHERS

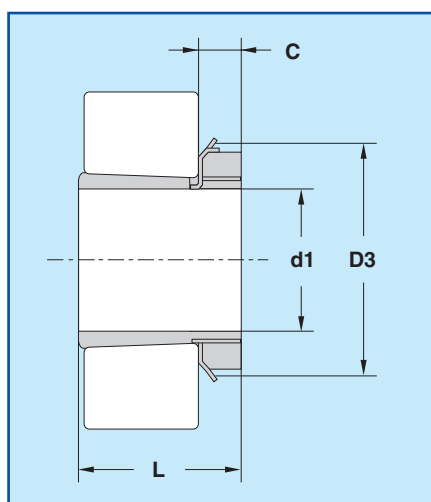
| | | |
|--------|----------------------------|--------|
| SERIES | H2300 | Metric |
| | HE2300 HS2300 HA2300 | Inch |



| SLEEVE | d1 | | | | L mm | D3 mm | C mm | WEIGHT kg | NUT | LOCK WASHER |
|--------|---------|-------|-------|---------|---------|----------|---------|--------------|--------|----------------|
| | H mm | HE | HS | HA | | | | | | |
| H2304 | 17 | - | - | - | 31 | 32 | 7 | 0.049 | KM 04 | MB 04 |
| H2305 | 20 | 3/4 | - | - | 35 | 38 | 8 | 0.087 | KM 05 | MB 05 |
| H2306 | 25 | 1 | - | - | 38 | 45 | 8 | 0.126 | KM 06 | MB 06 |
| H2307 | 30 | - | - | - | 43 | 52 | 9 | 0.165 | KM 07 | MB 07 |
| H2308 | 35 | 1 1/4 | 1 3/8 | - | 46 | 58 | 10 | 0.224 | KM 08 | MB 08 |
| H2309 | 40 | 1 1/2 | - | 1 7/16 | 50 | 65 | 11 | 0.280 | KM 09 | MB 09 |
| H2310 | 45 | 1 3/4 | 1 5/8 | 1 11/16 | 55 | 70 | 12 | 0.362 | KM 10 | MB 10 |
| H2311 | 50 | 2 | 1 7/8 | 1 15/16 | 59 | 75 | 12 | 0.420 | KM 11 | MB 11 |
| H2312 | 55 | - | 2 1/8 | - | 62 | 80 | 13 | 0.481 | KM 12 | MB 12 |
| H2313 | 60 | 2 1/4 | 2 3/8 | 2 3/16 | 65 | 85 | 14 | 0.557 | KM 13 | MB 13 |
| H2315 | 65 | 2 1/2 | - | 2 7/16 | 73 | 98 | 15 | 1.050 | KM 15 | MB 15 |
| H2316 | 70 | 2 3/4 | - | 2 11/16 | 78 | 105 | 17 | 1.280 | KM 16 | MB 16 |
| H2317 | 75 | 3 | - | 2 15/16 | 82 | 110 | 18 | 1.450 | KM 17 | MB 17 |
| H2318 | 80 | - | - | 3 3/16 | 86 | 120 | 18 | 1.690 | KM 18 | MB 18 |
| H2319 | 85 | 3 1/4 | - | - | 90 | 125 | 19 | 1.920 | KM 19 | MB 19 |
| H2320 | 90 | 3 1/2 | - | 3 7/16 | 97 | 130 | 20 | 2.150 | KM 20 | MB 20 |
| H2322 | 100 | 4 | - | 3 15/16 | 105 | 145 | 21 | 2.740 | KM 22 | MB 22 |
| H2324 | 110 | 4 1/4 | - | 4 3/16 | 112 | 155 | 22 | 3.190 | KM 24 | MB 24 |
| H2326 | 115 | 4 1/2 | - | 4 7/16 | 121 | 165 | 23 | 4.600 | KM 26 | MB 26 |
| H2328 | 125 | 5 | - | 4 15/16 | 131 | 180 | 24 | 5.550 | KM 28 | MB 28 |
| H2330 | 135 | 5 1/4 | - | 5 3/16 | 139 | 195 | 26 | 6.630 | KM 30 | MB 30 |
| H2332 | 140 | 5 1/2 | - | 5 7/16 | 147 | 210 | 28 | 9.140 | KM 32 | MB 32 |
| H2334 | 150 | 6 | - | 5 15/16 | 154 | 220 | 29 | 10.200 | KM 34 | MB 34 |
| H2336 | 160 | 6 1/2 | - | 6 7/16 | 161 | 230 | 30 | 11.300 | KM 36 | MB 36 |
| H2338 | 170 | 6 3/4 | - | 6 15/16 | 169 | 240 | 31 | 12.600 | KM 38 | MB 38 |
| H2340 | 180 | 7 | - | 7 3/16 | 176 | 250 | 32 | 13.900 | KM 40 | MB 40 |
| H2344 | 200 | - | - | - | 183 | 280 | 35 | 16.700 | HM 44T | MB 44 |
| H2348 | 220 | - | - | - | 199 | 300 | 37 | 19.700 | HM 48T | MB 48 |
| H2352 | 240 | - | - | - | 208 | 330 | 39 | 24.200 | HM 52T | MB 52 |
| H2356 | 260 | - | - | - | 221 | 350 | 41 | 27.800 | HM 56T | MB 56 |

The reference for the sleeve includes the nut and the lock washer.

SLEEVES, LOCKNUTS AND WASHERS



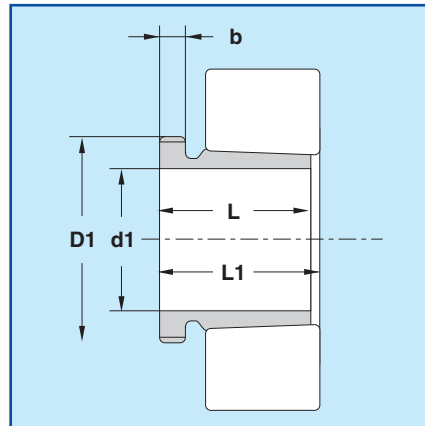
| | | |
|--------|-------------------------|--------|
| SERIES | H3000 H3100 H3200 | Metric |
| | HE3100 HA3100 | Inch |

| SLEEVE | d1 | | | L mm | D3 mm | C mm | WEIGHT kg | NUT | LOCK WASHER |
|--------|---------|----|--------|---------|----------|---------|--------------|---------|----------------|
| | H mm | HE | HA | | | | | | |
| H3024 | 110 | - | - | 72 | 145 | 22 | 1.930 | KML24 | MBL24 |
| H3026 | 115 | - | - | 80 | 155 | 23 | 2.850 | KML26 | MBL26 |
| H3028 | 125 | - | - | 82 | 165 | 24 | 3.160 | KML28 | MBL28 |
| H3030 | 135 | - | - | 87 | 180 | 26 | 3.890 | KML30 | MBL30 |
| H3032 | 140 | - | - | 93 | 190 | 28 | 5.210 | KML32 | MBL32 |
| H3034 | 150 | - | - | 101 | 200 | 29 | 5.990 | KML34 | MBL34 |
| H3036 | 160 | - | - | 109 | 210 | 30 | 6.830 | KML36 | MBL36 |
| H3038 | 170 | - | - | 112 | 220 | 31 | 7.450 | KML38 | MBL38 |
| H3040 | 180 | - | - | 120 | 240 | 32 | 9.190 | KML40 | MBL40 |
| H3044X | 200 | - | - | 126 | 260 | 30 | 10.300 | HM3044 | MS3044 |
| H3048 | 220 | - | - | 133 | 290 | 34 | 13.200 | HM3048 | MS3048 |
| H3052X | 240 | - | - | 145 | 310 | 34 | 15.300 | HM3052 | MS3052 |
| H3056 | 260 | - | - | 152 | 330 | 38 | 17.700 | HM3056 | MS3056 |
| H3060 | 280 | - | - | 168 | 360 | 42 | 22.800 | HM3060 | MS3060 |
| H3064 | 300 | - | - | 171 | 380 | 42 | 24.600 | HM3064 | MS3064 |
| H3124 | 110 | 4¼ | 4¾/16 | 88 | 155 | 22 | 2.640 | KM 24 | MB 24 |
| H3126 | 115 | 4½ | 4¾/16 | 92 | 165 | 23 | 3.660 | KM 26 | MB 26 |
| H3128 | 125 | 5 | 4¹⁵/16 | 97 | 180 | 24 | 4.340 | KM 28 | MB 28 |
| H3130 | 135 | 5¼ | 5³/16 | 111 | 195 | 26 | 5.520 | KM 30 | MB 30 |
| H3132 | 140 | 5½ | 5⁵/16 | 119 | 210 | 28 | 7.670 | KM 32 | MB 32 |
| H3134 | 150 | 6 | 5¹⁵/16 | 122 | 220 | 29 | 8.380 | KM 34 | MB 34 |
| H3136 | 160 | 6½ | 6⁷/16 | 131 | 230 | 30 | 9.500 | KM 36 | MB 36 |
| H3138 | 170 | 6¾ | 6¹⁵/16 | 141 | 240 | 31 | 10.800 | KM 38 | MB 38 |
| H3140 | 180 | 7 | 7³/16 | 150 | 250 | 32 | 12.100 | KM 40 | MB 40 |
| H3144 | 200 | - | 7¹⁵/16 | 161 | 280 | 35 | 14.700 | HM 44T | MB 44 |
| H3148 | 220 | - | - | 172 | 300 | 37 | 17.300 | HM 48T | MB 48 |
| H3152 | 240 | - | - | 190 | 330 | 39 | 22.000 | HM 52T | MB 52 |
| H3156 | 260 | - | - | 195 | 350 | 41 | 24.500 | HM 56T | MB 56 |
| H3160 | 280 | - | - | 208 | 380 | 40 | 30.200 | HM 3160 | MS 3160 |
| H3164 | 300 | - | - | 226 | 400 | 42 | 34.900 | HM 3164 | MS 3164 |
| H3168 | 320 | - | - | 254 | 440 | 55 | 49.500 | HM 3168 | MS 3168 |
| H3172 | 340 | - | - | 259 | 460 | 58 | 54.200 | HM 3172 | MS 3172 |
| H3176 | 360 | - | - | 264 | 490 | 60 | 61.700 | HM 3176 | MS 3176 |
| H3180 | 380 | - | - | 272 | 520 | 62 | 70.600 | HM 3180 | MS 3180 |
| H3184 | 400 | - | - | 304 | 540 | 70 | 84.200 | HM 3184 | MS 3184 |
| H3260 | 280 | - | - | 240 | 380 | 40 | 34.100 | HM 3160 | MS 3160 |
| H3264 | 300 | - | - | 258 | 400 | 42 | 39.300 | HM 3164 | MS 3164 |
| H3268 | 320 | - | - | 288 | 440 | 55 | 54.600 | HM 3168 | MS 3168 |
| H3272 | 340 | - | - | 299 | 460 | 58 | 60.600 | HM 3172 | MS 3172 |
| H3276 | 360 | - | - | 310 | 490 | 60 | 69.600 | HM 3176 | MS 3176 |
| H3280 | 380 | - | - | 328 | 520 | 62 | 81.000 | HM 3180 | MS 3180 |

The reference for the sleeve includes the nut and the lock washer.

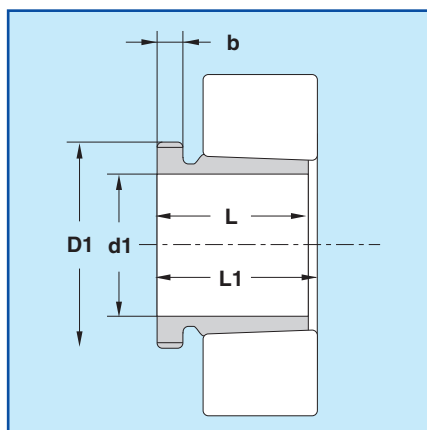
WITHDRAWAL SLEEVES

AH, AHX 300 AND AH, AHX 2300 SERIES



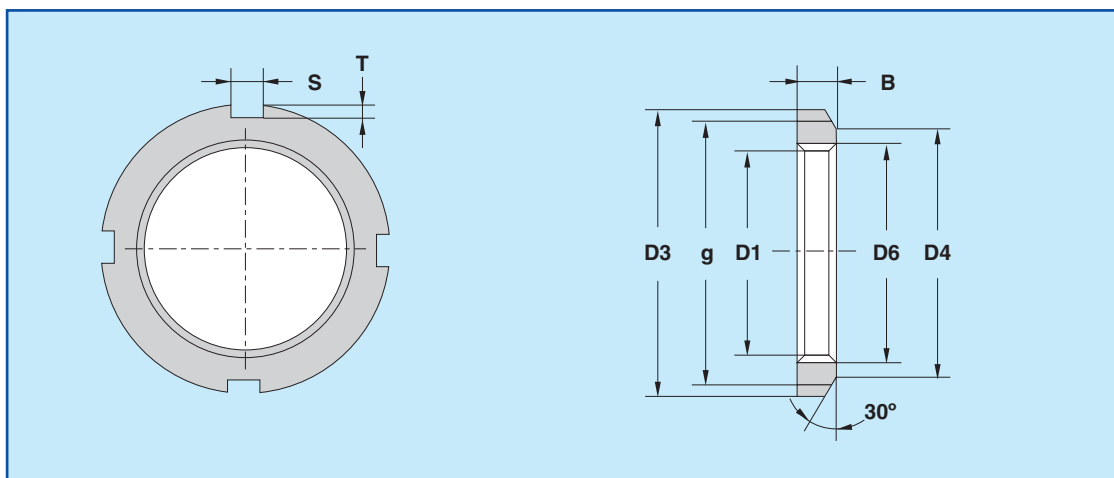
| SLEEVE | d1 mm | D1 mm | L mm | L1 mm | b mm | WEIGHT kg | THREAD | NUT |
|----------|----------|----------|---------|----------|---------|--------------|---------------|--------|
| AH 308 | 35 | 45 | 29 | 32 | 6 | 0.090 | M 45 x 1.5 | KM 09 |
| AH 309 | 40 | 50 | 31 | 34 | 6 | 0.109 | M 50 x 1.5 | KM 10 |
| AHX 310 | 45 | 55 | 35 | 38 | 7 | 0.137 | M 55 x 2.0 | KM 11 |
| AHX 311 | 50 | 60 | 37 | 40 | 7 | 0.161 | M 60 x 2.0 | KM 12 |
| AHX 312 | 55 | 65 | 40 | 43 | 8 | 0.189 | M 65 x 2.0 | KM 13 |
| AHX 313 | 60 | 75 | 42 | 45 | 8 | 0.253 | M 75 x 2.0 | KM 15 |
| AH 314 | 65 | 80 | 43 | 47 | 8 | 0.280 | M 80 x 2.0 | KM 16 |
| AH 315 | 70 | 85 | 45 | 49 | 8 | 0.313 | M 85 x 2.0 | KM 17 |
| AH 316 | 75 | 90 | 48 | 52 | 8 | 0.365 | M 90 x 2.0 | KM 18 |
| AHX 317 | 80 | 95 | 52 | 56 | 9 | 0.429 | M 95 x 2.0 | KM 19 |
| AHX 318 | 85 | 100 | 53 | 57 | 9 | 0.461 | M 100 x 2.0 | KM 20 |
| AHX 319 | 90 | 105 | 57 | 61 | 10 | 0.532 | M 105 x 2.0 | KM 21 |
| AHX 320 | 95 | 110 | 59 | 63 | 10 | 0.582 | M 110 x 2.0 | KM 22 |
| AH 2308 | 35 | 45 | 40 | 43 | 7 | 0.128 | M 45 x 1.5 | KM 09 |
| AH 2309 | 40 | 50 | 44 | 47 | 7 | 0.164 | M 50 x 1.5 | KM 10 |
| AHX 2310 | 45 | 55 | 50 | 53 | 9 | 0.209 | M 55 x 2.0 | KM 11 |
| AHX 2311 | 50 | 60 | 54 | 57 | 10 | 0.253 | M 60 x 2.0 | KM 12 |
| AHX 2312 | 55 | 65 | 58 | 61 | 11 | 0.297 | M 65 x 2.0 | KM 13 |
| AHX 2313 | 60 | 75 | 61 | 64 | 12 | 0.395 | M 75 x 2.0 | KM 15 |
| AHX 2314 | 65 | 80 | 64 | 68 | 12 | 0.466 | M 80 x 2.0 | KM 16 |
| AHX 2315 | 70 | 85 | 68 | 72 | 12 | 0.534 | M 85 x 2.0 | KM 17 |
| AHX 2316 | 75 | 90 | 71 | 75 | 12 | 0.597 | M 90 x 2.0 | KM 18 |
| AHX 2317 | 80 | 95 | 74 | 78 | 13 | 0.670 | M 95 x 2.0 | KM 19 |
| AHX 2318 | 85 | 100 | 79 | 83 | 14 | 0.779 | M 100 x 2.0 | KM 20 |
| AHX 2319 | 90 | 105 | 85 | 89 | 16 | 0.886 | M 105 x 2.0 | KM 21 |
| AHX 2320 | 95 | 110 | 90 | 94 | 16 | 0.998 | M 110 x 2.0 | KM 22 |
| AHX 2322 | 105 | 125 | 98 | 102 | 16 | 1.350 | M 125 x 2.0 | KM 25 |
| AHX 2324 | 115 | 135 | 105 | 109 | 17 | 1.600 | M 135 x 2.0 | KM 27 |
| AHX 2326 | 125 | 145 | 115 | 119 | 19 | 1.970 | M 145 x 2.0 | KM 29 |
| AHX 2328 | 135 | 155 | 125 | 130 | 20 | 2.330 | M 155 x 3.0 | KM 31 |
| AHX 2330 | 145 | 165 | 135 | 140 | 24 | 2.820 | M 165 x 3.0 | KM 33 |
| AH 2332 | 150 | 180 | 140 | 146 | 24 | 4.720 | M 180 x 3.0 | KM 36 |
| AH 2334 | 160 | 190 | 146 | 152 | 24 | 5.250 | M 190 x 3.0 | KM 38 |
| AH 2336 | 170 | 200 | 154 | 160 | 26 | 5.830 | M 200 x 3.0 | KM 40 |
| AH 2338 | 180 | 210 | 160 | 167 | 26 | 6.630 | MTr 210 x 4.0 | HM 42T |
| AH 2340 | 190 | 220 | 170 | 177 | 30 | 7.540 | MTr 220 x 4.0 | HM 44T |
| AH 2344 | 200 | 240 | 181 | 189 | 30 | 13.500 | MTr 240 x 4.0 | HM 48T |
| AH 2348 | 220 | 260 | 189 | 197 | 30 | 15.500 | MTr 260 x 4.0 | HM 52T |
| AH 2352 | 240 | 290 | 205 | 213 | 30 | 19.600 | MTr 290 x 4.0 | HM 58T |
| AH 2356 | 260 | 310 | 212 | 220 | 30 | 21.600 | MTr 310 x 5.0 | HM 62T |

WITHDRAWAL SLEEVES AH, AHX 300 AND AH, AHX 2300 SERIES



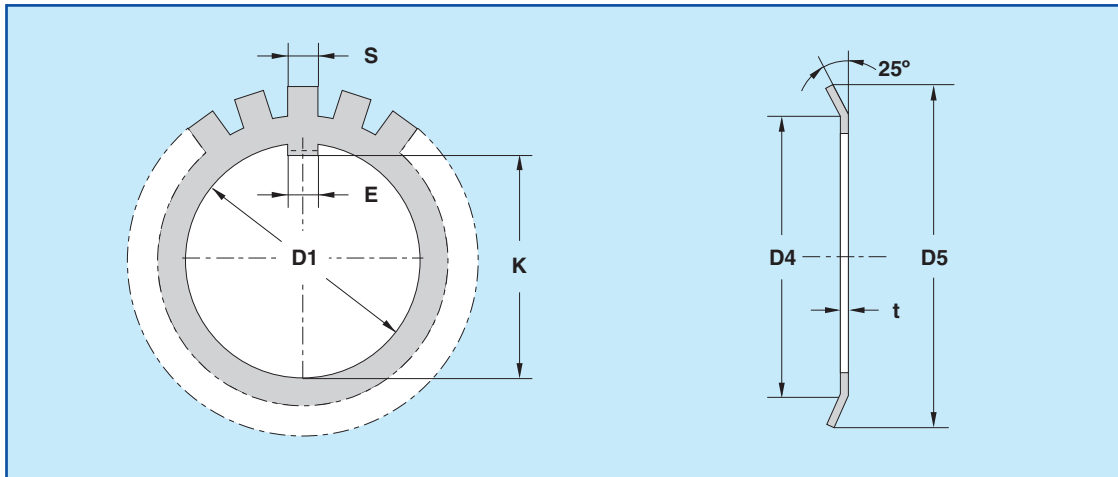
| SLEEVE | d1 mm | D1 mm | L mm | L1 mm | b mm | WEIGHT kg | THREAD | NUT |
|----------|----------|----------|---------|----------|---------|--------------|-------------|--------|
| AHX 3122 | 105 | 120 | 68 | 72 | 11 | 0.760 | M 120 x 2 | KM 24 |
| AHX 3124 | 115 | 130 | 75 | 79 | 12 | 0.950 | M 130 x 2 | KM 26 |
| AHX 3126 | 125 | 140 | 78 | 82 | 12 | 1.080 | M 140 x 2 | KM 28 |
| AHX 3128 | 135 | 150 | 83 | 88 | 14 | 1.280 | M 150 x 2 | KM 30 |
| AHX 3130 | 145 | 165 | 96 | 101 | 15 | 1.790 | M 165 x 3 | KM 33 |
| AHX 3132 | 150 | 180 | 103 | 108 | 16 | 3.210 | M 180 x 3 | KM 36 |
| AH 3134 | 160 | 190 | 104 | 109 | 16 | 3.400 | M 190 x 3 | KM 38 |
| AH 3136 | 170 | 200 | 116 | 122 | 19 | 4.220 | M 200 x 3 | KM 40 |
| AH 3138 | 180 | 210 | 125 | 131 | 20 | 4.890 | MTr 210 x 4 | HM 42T |
| AH 3140 | 190 | 220 | 134 | 140 | 21 | 5.490 | MTr 220 x 4 | HM 44T |
| AH 3144 | 200 | 240 | 145 | 151 | 23 | 10.400 | MTr 240 x 4 | HM 48T |
| AH 3148 | 220 | 260 | 154 | 161 | 25 | 12.000 | MTr 260 x 4 | HM 52T |
| AH 3152 | 240 | 290 | 172 | 179 | 26 | 16.200 | MTr 290 x 4 | HM 58T |
| AH 3156 | 260 | 310 | 175 | 183 | 28 | 17.500 | MTr 310 x 5 | HM 62T |
| AH 3160 | 280 | 330 | 192 | 200 | 30 | 20.800 | MTr 330 x 5 | HM 66T |
| AH 3164 | 300 | 350 | 209 | 217 | 31 | 24.500 | MTr 350 x 5 | HM 70T |
| AH 3168 | 320 | 370 | 225 | 234 | 33 | 29.000 | MTr 370 x 5 | HM 74T |
| AH 3172 | 340 | 400 | 229 | 238 | 35 | 33.000 | MTr 400 x 5 | HM 80T |
| AH 3176 | 360 | 420 | 232 | 242 | 36 | 35.700 | MTr 420 x 5 | HM 84T |
| AH 3180 | 380 | 440 | 240 | 250 | 38 | 39.500 | MTr 440 x 5 | HM 88T |
| AH 3184 | 400 | 460 | 266 | 276 | 40 | 46.500 | MTr 460 x 5 | HM 92T |
| AHX 3218 | 85 | 100 | 63 | 67 | 10 | 0.576 | M 100 x 2 | KM 20 |
| AHX 3220 | 95 | 110 | 73 | 77 | 11 | 0.767 | M 110 x 2 | KM 22 |
| AHX 3222 | 105 | 125 | 82 | 86 | 11 | 1.040 | M 125 x 2 | KM 25 |
| AHX 3224 | 115 | 135 | 90 | 94 | 13 | 1.300 | M 135 x 2 | KM 27 |
| AHX 3226 | 125 | 145 | 98 | 102 | 15 | 1.580 | M 145 x 2 | KM 29 |
| AHX 3228 | 135 | 155 | 104 | 109 | 15 | 1.840 | M 155 x 3 | KM 31 |
| AHX 3230 | 145 | 165 | 114 | 119 | 17 | 2.220 | M 165 x 3 | KM 33 |
| AH 3232 | 150 | 180 | 124 | 130 | 20 | 4.080 | M 180 x 3 | KM 36 |
| AH 3234 | 160 | 190 | 134 | 140 | 24 | 4.800 | M 190 x 3 | KM 38 |
| AH 3236 | 170 | 200 | 140 | 146 | 25 | 5.320 | M 200 x 3 | KM 40 |
| AH 3238 | 180 | 210 | 145 | 152 | 25 | 5.900 | MTr 210 x 4 | HM 42T |
| AH 3240 | 190 | 220 | 153 | 160 | 34 | 6.680 | MTr 220 x 4 | HM 44T |

LOCKNUTS



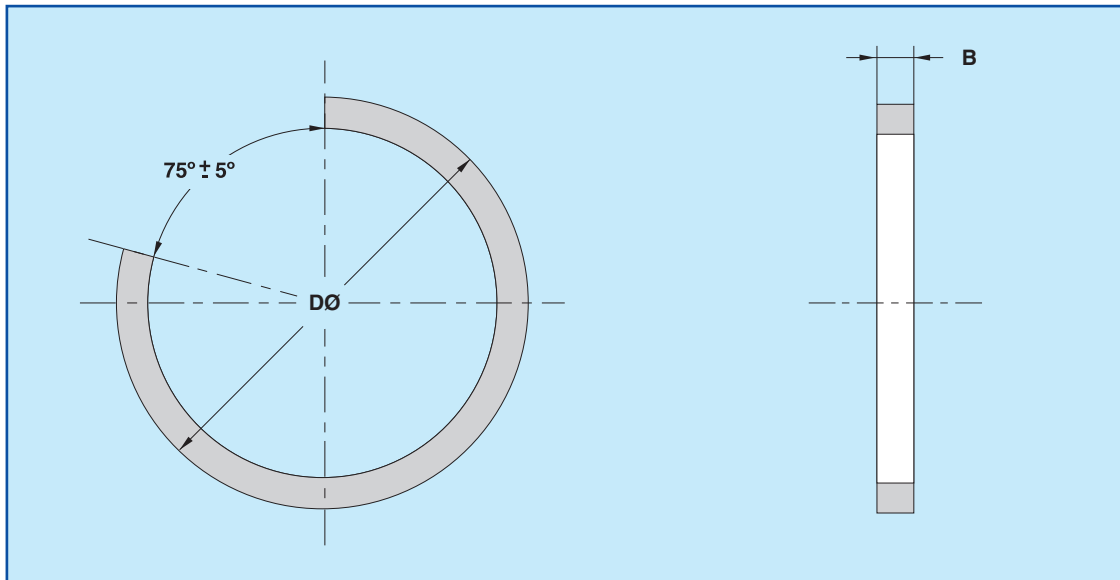
| NUT | D3 | D4 | g | THREAD | B | S | T | D6 | WASHER |
|-------|-----|------|-----|-------------|----|----|-----|-------|--------|
| KM 00 | 18 | 13.5 | 14 | M 10 x 0.75 | 4 | 3 | 2 | 0.004 | MB 00 |
| KM 01 | 22 | 17 | 18 | M 12 x 1.0 | 4 | 3 | 2 | 0.007 | MB 01 |
| KM 02 | 25 | 21 | 21 | M 15 x 1.0 | 5 | 4 | 2 | 0.010 | MB 02 |
| KM 03 | 28 | 24 | 24 | M 17 x 1.0 | 5 | 4 | 2 | 0.013 | MB 03 |
| KM 04 | 32 | 26 | 28 | M 20 x 1.0 | 6 | 4 | 2 | 0.019 | MB 04 |
| KM 05 | 38 | 32 | 34 | M 25 x 1.5 | 7 | 5 | 2 | 0.025 | MB 05 |
| KM 06 | 45 | 38 | 41 | M 30 x 1.5 | 7 | 5 | 2 | 0.043 | MB 06 |
| KM 07 | 52 | 44 | 48 | M 35 x 1.5 | 8 | 5 | 2 | 0.053 | MB 07 |
| KM 08 | 58 | 50 | 53 | M 40 x 1.5 | 9 | 6 | 2.5 | 0.085 | MB 08 |
| KM 09 | 65 | 56 | 60 | M 45 x 1.5 | 10 | 6 | 2.5 | 0.119 | MB 09 |
| KM 10 | 70 | 61 | 65 | M 50 x 1.5 | 11 | 6 | 2.5 | 0.148 | MB 10 |
| KM 11 | 75 | 67 | 69 | M 55 x 2.0 | 11 | 7 | 3 | 0.158 | MB 11 |
| KM 12 | 80 | 73 | 74 | M 60 x 2.0 | 11 | 7 | 3 | 0.174 | MB 12 |
| KM 13 | 85 | 79 | 79 | M 65 x 2.0 | 12 | 7 | 3 | 0.203 | MB 13 |
| KM 14 | 92 | 85 | 85 | M 70 x 2.0 | 12 | 8 | 3.5 | 0.242 | MB 14 |
| KM 15 | 98 | 90 | 91 | M 75 x 2.0 | 13 | 8 | 3.5 | 0.287 | MB 15 |
| KM 16 | 105 | 95 | 98 | M 80 x 2.0 | 15 | 8 | 3.5 | 0.397 | MB 16 |
| KM 17 | 110 | 102 | 103 | M 85 x 2.0 | 16 | 8 | 3.5 | 0.451 | MB 17 |
| KM 18 | 120 | 108 | 112 | M 90 x 2.0 | 16 | 10 | 4 | 0.556 | MB 18 |
| KM 19 | 125 | 113 | 117 | M 95 x 2.0 | 17 | 10 | 4 | 0.658 | MB 19 |
| KM 20 | 130 | 120 | 122 | M 100 x 2.0 | 18 | 10 | 4 | 0.698 | MB 20 |
| KM 21 | 140 | 126 | 130 | M 105 x 2.0 | 18 | 12 | 5 | 0.845 | MB 21 |
| KM 22 | 145 | 133 | 135 | M 110 x 2.0 | 19 | 12 | 5 | 0.965 | MB 22 |
| KM 23 | 150 | 137 | 140 | M 115 x 2.0 | 19 | 12 | 5 | 1.010 | MB 23 |
| KM 24 | 155 | 138 | 145 | M 120 x 2.0 | 20 | 12 | 5 | 1.080 | MB 24 |
| KM 25 | 160 | 148 | 150 | M 125 x 2.0 | 21 | 12 | 5 | 1.190 | MB 25 |
| KM 26 | 165 | 149 | 155 | M 130 x 2.0 | 21 | 12 | 5 | 1.250 | MB 26 |
| KM 27 | 175 | 160 | 163 | M 135 x 2.0 | 22 | 14 | 6 | 1.550 | MB 27 |
| KM 28 | 180 | 160 | 168 | M 140 x 2.0 | 22 | 14 | 6 | 1.560 | MB 28 |
| KM 29 | 190 | 172 | 178 | M 145 x 2.0 | 24 | 14 | 6 | 1.800 | MB 29 |
| KM 30 | 195 | 171 | 183 | M 150 x 2.0 | 24 | 14 | 6 | 2.030 | MB 30 |
| KM 31 | 200 | 182 | 186 | M 155 x 3.0 | 25 | 16 | 7 | 2.300 | MB 31 |
| KM 32 | 210 | 182 | 196 | M 160 x 3.0 | 25 | 16 | 7 | 2.590 | MB 32 |
| KM 33 | 210 | 193 | 196 | M 165 x 3.0 | 26 | 16 | 7 | 2.700 | MB 33 |
| KM 34 | 220 | 193 | 206 | M 170 x 3.0 | 26 | 16 | 7 | 2.800 | MB 34 |
| KM 36 | 230 | 203 | 214 | M 180 x 3.0 | 27 | 18 | 8 | 3.070 | MB 36 |
| KM 38 | 240 | 214 | 224 | M 190 x 3.0 | 28 | 18 | 8 | 3.390 | MB 38 |
| KM 40 | 250 | 226 | 234 | M 200 x 3.0 | 29 | 18 | 8 | 3.690 | MB 40 |

LOCKING WASHERS MB



| WASHER | D1 | K | E | t | S | D4 | D5 | Number of splines | NUT |
|--------|-----|-------|----|------|----|------|-----|-------------------|-------|
| MB 00 | 10 | 8.5 | 3 | 1.0 | 3 | 13.5 | 21 | 9 | KM 00 |
| MB 01 | 12 | 10.5 | 3 | 1.0 | 3 | 17 | 25 | 9 | KM 01 |
| MB 02 | 15 | 13.5 | 4 | 1.0 | 4 | 21 | 28 | 13 | KM 02 |
| MB 03 | 17 | 15.5 | 4 | 1.0 | 4 | 24 | 32 | 13 | KM 03 |
| MB 04 | 20 | 18.5 | 4 | 1.0 | 4 | 26 | 36 | 13 | KM 04 |
| MB 05 | 25 | 23.0 | 5 | 1.25 | 5 | 32 | 42 | 13 | KM 05 |
| MB 06 | 30 | 27.5 | 5 | 1.25 | 5 | 38 | 49 | 13 | KM 06 |
| MB 07 | 35 | 32.5 | 6 | 1.25 | 5 | 44 | 57 | 15 | KM 07 |
| MB 08 | 40 | 37.5 | 6 | 1.25 | 6 | 50 | 62 | 15 | KM 08 |
| MB 09 | 45 | 42.5 | 6 | 1.25 | 6 | 56 | 69 | 17 | KM 09 |
| MB 10 | 50 | 47.5 | 6 | 1.25 | 6 | 61 | 74 | 17 | KM 10 |
| MB 11 | 55 | 52.5 | 8 | 1.25 | 7 | 67 | 81 | 17 | KM 11 |
| MB 12 | 60 | 57.5 | 8 | 1.5 | 7 | 73 | 86 | 17 | KM 12 |
| MB 13 | 65 | 62.5 | 8 | 1.5 | 7 | 79 | 92 | 19 | KM 13 |
| MB 14 | 70 | 66.5 | 8 | 1.5 | 8 | 85 | 98 | 19 | KM 14 |
| MB 15 | 75 | 71.5 | 8 | 1.5 | 8 | 90 | 104 | 19 | KM 15 |
| MB 16 | 80 | 76.5 | 10 | 1.75 | 8 | 95 | 112 | 19 | KM 16 |
| MB 17 | 85 | 81.5 | 10 | 1.75 | 8 | 102 | 119 | 19 | KM 17 |
| MB 18 | 90 | 86.5 | 10 | 1.75 | 10 | 108 | 126 | 19 | KM 18 |
| MB 19 | 95 | 91.5 | 10 | 1.75 | 10 | 113 | 133 | 19 | KM 19 |
| MB 20 | 100 | 96.5 | 12 | 1.75 | 10 | 120 | 142 | 19 | KM 20 |
| MB 21 | 105 | 100.5 | 12 | 1.75 | 12 | 126 | 145 | 19 | KM 21 |
| MB 22 | 110 | 105.5 | 12 | 1.75 | 12 | 133 | 154 | 19 | KM 22 |
| MB 23 | 115 | 110.5 | 12 | 2.0 | 12 | 137 | 159 | 19 | KM 23 |
| MB 24 | 120 | 115.0 | 14 | 2.0 | 12 | 138 | 164 | 19 | KM 24 |
| MB 25 | 125 | 120.0 | 14 | 2.0 | 12 | 148 | 170 | 19 | KM 25 |
| MB 26 | 130 | 125.0 | 14 | 2.0 | 12 | 149 | 175 | 19 | KM 26 |
| MB 27 | 135 | 130.0 | 14 | 2.0 | 14 | 160 | 185 | 19 | KM 27 |
| MB 28 | 140 | 135.0 | 16 | 2.0 | 14 | 160 | 192 | 19 | KM 28 |
| MB 29 | 145 | 140.0 | 16 | 2.0 | 14 | 172 | 202 | 19 | KM 29 |
| MB 30 | 150 | 145.0 | 16 | 2.0 | 14 | 171 | 205 | 19 | KM 30 |
| MB 31 | 155 | 147.5 | 16 | 2.5 | 16 | 182 | 212 | 19 | KM 31 |
| MB 32 | 160 | 154.0 | 18 | 2.5 | 16 | 182 | 217 | 19 | KM 32 |
| MB 33 | 165 | 157.5 | 18 | 2.5 | 16 | 193 | 222 | 19 | KM 33 |
| MB 34 | 170 | 164.0 | 18 | 2.5 | 16 | 193 | 232 | 19 | KM 34 |
| MB 36 | 180 | 174.0 | 20 | 2.5 | 18 | 203 | 242 | 19 | KM 36 |
| MB 38 | 190 | 184.0 | 20 | 2.5 | 18 | 214 | 252 | 19 | KM 38 |
| MB 40 | 200 | 194.0 | 20 | 2.5 | 18 | 226 | 262 | 19 | KM 40 |

LOCATING RINGS



Locating Ring Dimensions FR (D x B)

| | | | | |
|------------|-------------|---------------|-------------|-------------|
| FR 52 x 7 | FR 100 x 6 | FR 150 x 8 | FR 215 x 10 | FR 400 x 10 |
| FR 52 x 10 | FR 100 x 7 | FR 150 x 10 | FR 215 x 12 | |
| | FR 100 x 8 | FR 150 x 15 | FR 215 x 13 | FR 420 x 10 |
| FR 62 x 6 | FR 100 x 10 | FR 150 x 16 | FR 215 x 16 | |
| FR 62 x 7 | FR 100 x 11 | FR 150 x 17 | | FR 440 x 10 |
| FR 62 x 8 | FR 100 x 12 | | FR 230 x 10 | |
| FR 62 x 10 | | FR 160 x 10 | FR 230 x 13 | FR 460 x 10 |
| | FR 110 x 8 | FR 160 x 12 | | |
| FR 72 x 7 | FR 110 x 10 | FR 160 x 12.4 | FR 240 x 10 | FR 500 x 10 |
| FR 72 x 8 | FR 110 x 11 | FR 160 x 16 | FR 240 x 15 | |
| FR 72 x 10 | FR 110 x 12 | | FR 250 x 10 | FR 540 x 10 |
| FR 72 x 11 | FR 110 x 15 | FR 170 x 10 | FR 250 x 15 | |
| | | FR 170 x 12 | | FR 580 x 10 |
| FR 80 x 7 | FR 120 x 15 | FR 170 x 12.4 | FR 260 x 10 | |
| FR 80 x 8 | FR 120 x 10 | FR 170 x 17 | | FR 620 x 10 |
| FR 80 x 10 | FR 120 x 12 | | FR 270 x 10 | |
| FR 80 x 11 | FR 120 x 16 | FR 180 x 9.7 | FR 270 x 16 | FR 650 x 10 |
| | | FR 180 x 10 | FR 270 x 17 | |
| FR 85 x 6 | FR 130 x 10 | FR 180 x 12 | | |
| FR 85 x 7 | FR 130 x 15 | FR 180 x 17 | FR 280 x 10 | |
| FR 85 x 8 | FR 130 x 16 | | FR 280 x 17 | |
| FR 85 x 10 | | FR 190 x 10 | | |
| FR 85 x 11 | FR 140 x 7 | FR 190 x 15 | FR 290 x 10 | |
| | FR 140 x 10 | FR 190 x 16 | FR 310 x 10 | |
| FR 90 x 6 | FR 140 x 15 | | FR 320 x 10 | |
| FR 90 x 7 | FR 140 x 16 | FR 200 x 10 | FR 340 x 10 | |
| FR 90 x 8 | | FR 200 x 13 | FR 360 x 10 | |
| FR 90 x 10 | | FR 200 x 15 | FR 370 x 10 | |
| FR 90 x 11 | | FR 200 x 17 | FR 380 x 10 | |



NOTES





EUROPEAN SALES OFFICES AND JAPAN

UK

NSK UK LTD.,
NORTHERN ROAD, NEWARK,
NOTTINGHAMSHIRE, NG24 2JF
TEL: +44/ (0)1636 605123
FAX: +44/ (0)1636 602775
E-Mail: info-uk@nsk.com

FRANCE

NSK FRANCE S.A.,
QUARTIER DE L'EUROPE,
2 RUE GEORGES, GUYNEMER,
78283 GUYANCOURT, CEDEX
TEL: +33/ 1 305 73939
FAX: +33/ 1 305 70001
E-Mail: info-fr@nsk.com

GERMANY

NSK DEUTSCHLAND GMBH,
HARKORTSTRASSE 15,
40880 RATINGEN
TEL: +49/ 2102 4810
FAX: +49/ 2102 4812290
E-Mail: info-de@nsk.com

ITALY

NSK ITALIA S.P.A.,
VIA GARIBALDI 215,
20024 GARBAGNATE,
MILANESE (MILANO)
TEL: +39/ 02 995 191
FAX: +39/ 02 9902 5578
E-Mail: info-it@nsk.com

POLAND

NSK ISKRA S.A.
SALES AND MARKETING OFFICE,
UL. WARSZAWSKA 109, 25-547 KIELCE
TEL: +48 41 330 38 07
FAX: +48 41 330 38 30
E-Mail: info-pl@nsk.com
www.nsk.com.pl

SPAIN

NSK SPAIN, S.A.
C/ TARRAGONA, 161 CUERPO BAJO,
2A PLANTA, 08014 BARCELONA
Tel: +34 932 89 27 63
Fax: +34 934 33 57 76
E-Mail: info-es@nsk.com

SCANDINAVIA

NSK NORGE OFFICE,
ØSTRE KULLERØD 5,
N-3241 SANDEFJORD
TEL: +47/ 3329 3160
FAX: +47/3342 9002
E-Mail: info-n@nsk.com

TURKEY

NSK RULMANLARI ORTA DOĞU TIC. LTD. ŞTİ.,
YALI MAH. FEVZI ÇAKMAK CAD.,
CAĞLAR APT. NO 11/4,
MALTEPE, İSTANBUL, 34844
TEL: +90/ 216 442 7106
FAX: +90/ 216 305 5505
E-Mail: turkey@nsk.com

JAPAN

NSK JAPAN LTD.
NISSEI BLDG., 6-3,
OHSAKI 1-CHOME SHINAGAWA-KU,
TOKYO 141-8560
TEL: +81/ 3 3779 7680
FAX: +81/ 3 3779 7433

Please also visit our website: www.eu.nsk.com



Every care has been taken to ensure the information in this publication is accurate but no liability can be accepted for any errors or omissions.

© Copyright NSK 2005

The contents of this publication are the copyright of the publishers.
Printed in England Ref: PBH/C/E/E//06.05